



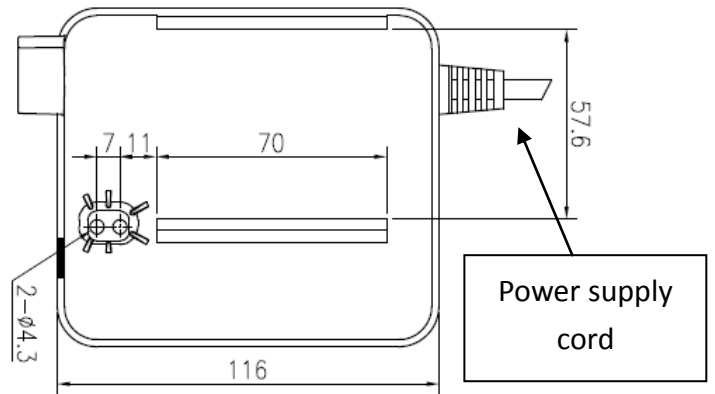
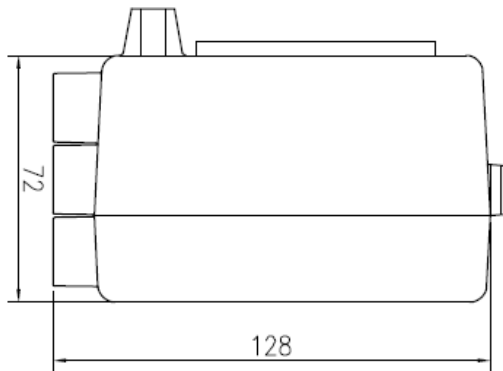
TECHNICAL SPECIFICATIONS

Input voltage	-100 / 110 / 230 VAC – 50 / 60Hz (linear transformer) -100~240 VAC – 50 / 60Hz (switch mode power supply)
Output voltage	24 VDC or 12VDC
Power / current	maximum 3 A at 24 VDC / 6 A at 12 VDC
Over-current protection	3 A per actuator output
Actuator connections	from 1 to 3 actuators
Control connections	1
Protection grade	IP20
Protection class	Class II
Fixing type	fit to main actuator (V10 type)
Duty cycle	10% (2 mn operation / 18 mn rest)
Colour	black (RAL 7001)

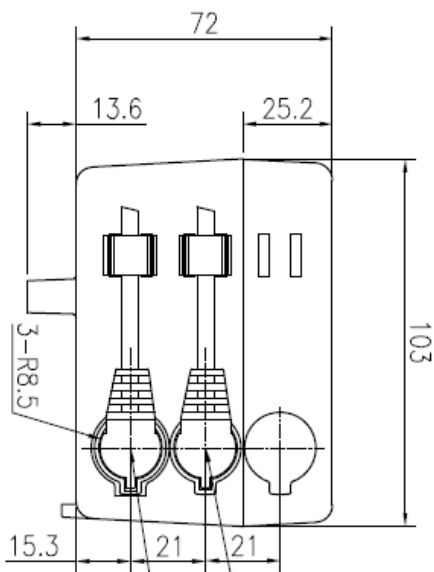
Options :

Fixing type	plate with screws for fixing on frame
Emergency lowering function	by 2 x batteries 9V

DIMENSIONS



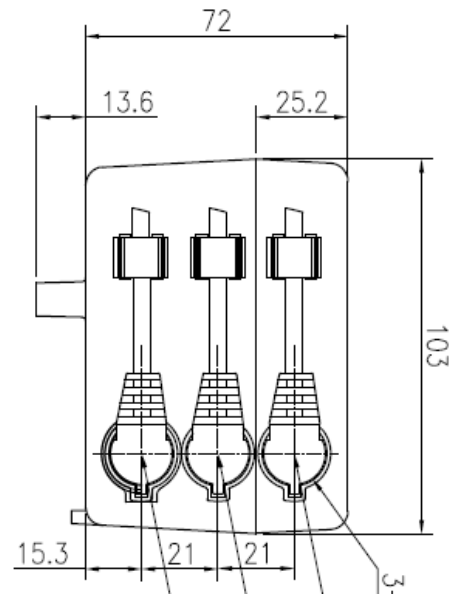
1-actuator version



Actuator connection

Control connection

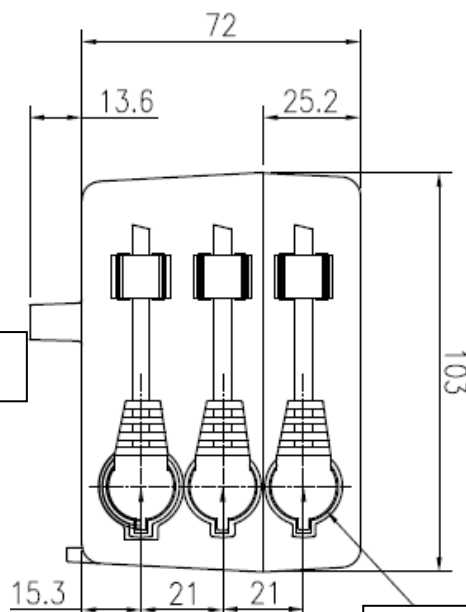
2-actuators version



actuator connections

Control connection

3-actuators version



actuator connections

Control connection

