



TECHNICAL SPECIFICATIONS

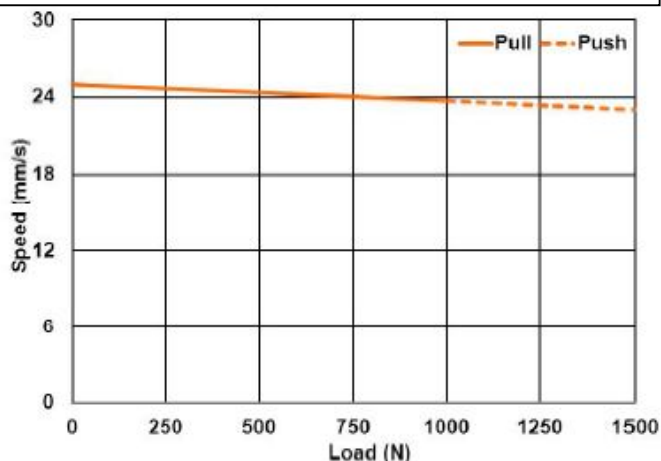
Motor type	24 Volts DC
Maximum strength	1500 N in push / 1000 N in pull
Maximum current	2.3 A under 24 V DC at full load 1500 N
Maximum stroke	230 mm
Maximum speed	-at no load : 25 mm/sec. -at full load 1500 N: 23 mm/sec.
Power supply	SMPS types TES1 / TES2 / TES3 / TES4
Control compatibility	H2G / H3B / HS2 / HZ1 / HZ2
Colour	Black motor / Grey tube
Operating temperatures	0° to +65°
Duty cycle	10% (2 mn operation/ 18 mn rest)

Options

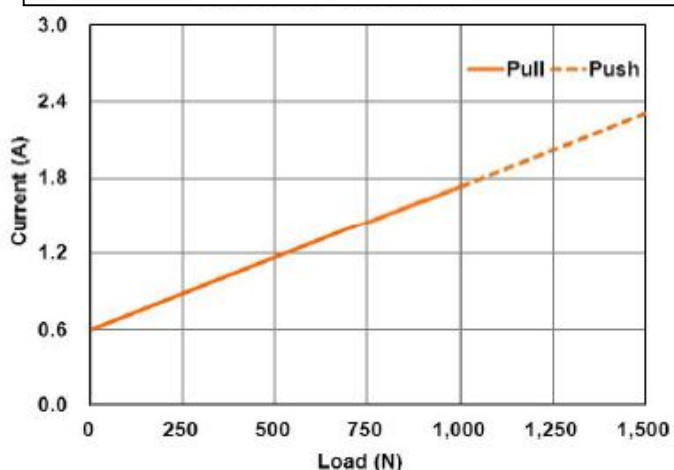
Location of cable outlet	front end or rear end
Cable lengths	different sizes with or without spiral

PERFORMANCES

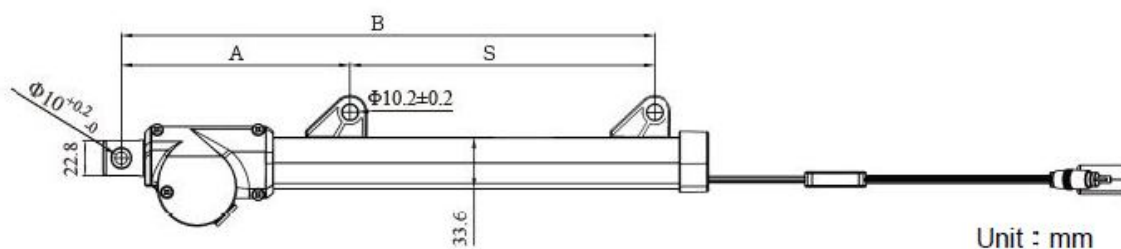
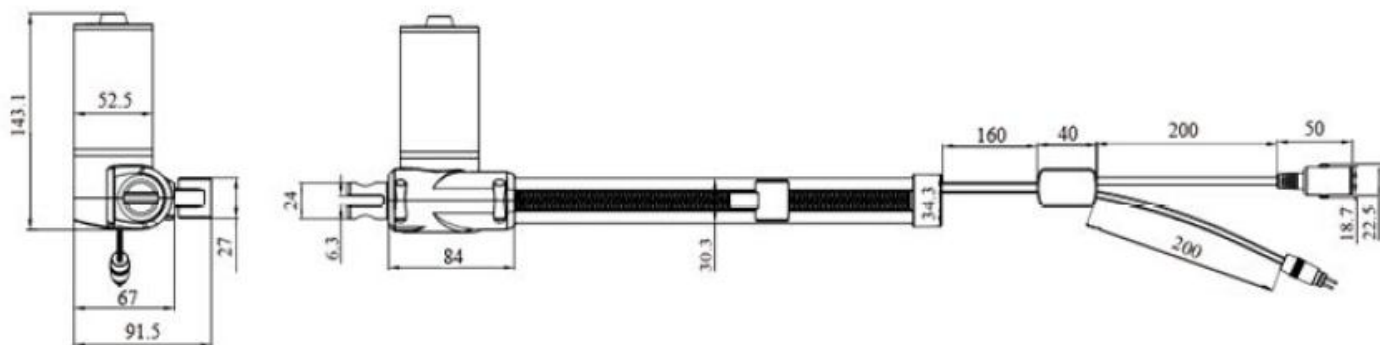
Speed / Load



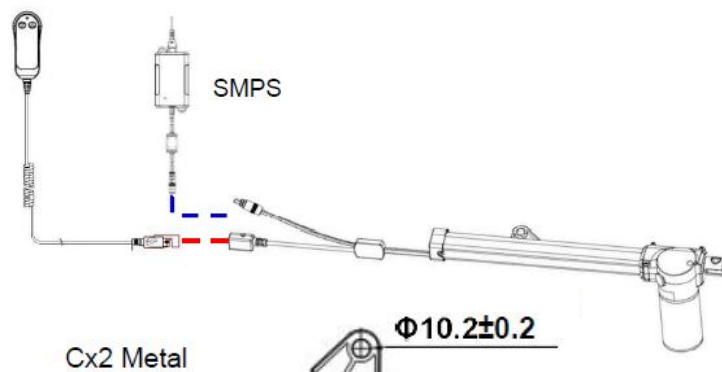
Current / Load



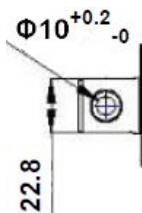
STANDARD DIMENSIONS



Stroke (S)	40~230mm
Retracted length (A)	$A \geq 133\text{mm}$
Extended length (B)	$B=A+S$



Clevis specifications :



Cx2 Metal

$\Phi 10.2 \pm 0.2$