



## TECHNICAL SPECIFICATIONS

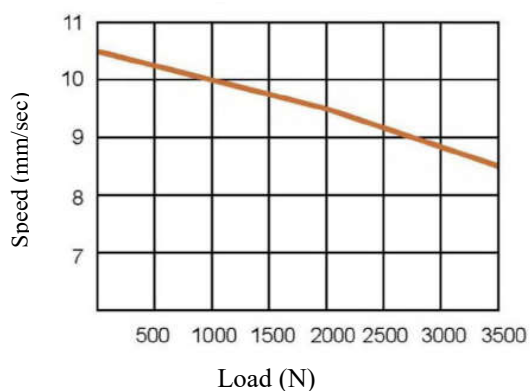
Motor type	24 Volts DC or 36 Volts DC
Push capability	3 500 N maxi
Pull capability	2 000 N maxi
Speed	maximum 10.5mm / sec unloaded
Current consumption	maximum 4A @ 36 VCC
Stroke	standard or customized
Electrical stroke end	by preset limit switches
Compatibility	-without potentiometer: control box TB -with potentiometer : control box CIS3
Duty cycle	10% (2 mn operation / 20 mn rest)
Colour	Black

### Options :

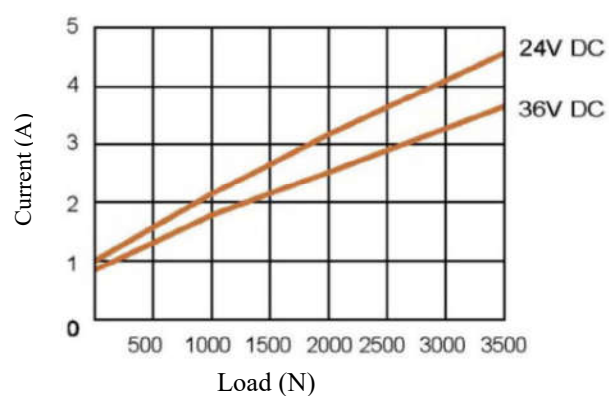
Positioning setting	by potentiometer
---------------------	------------------

## PERFORMANCES

### Speed / Load

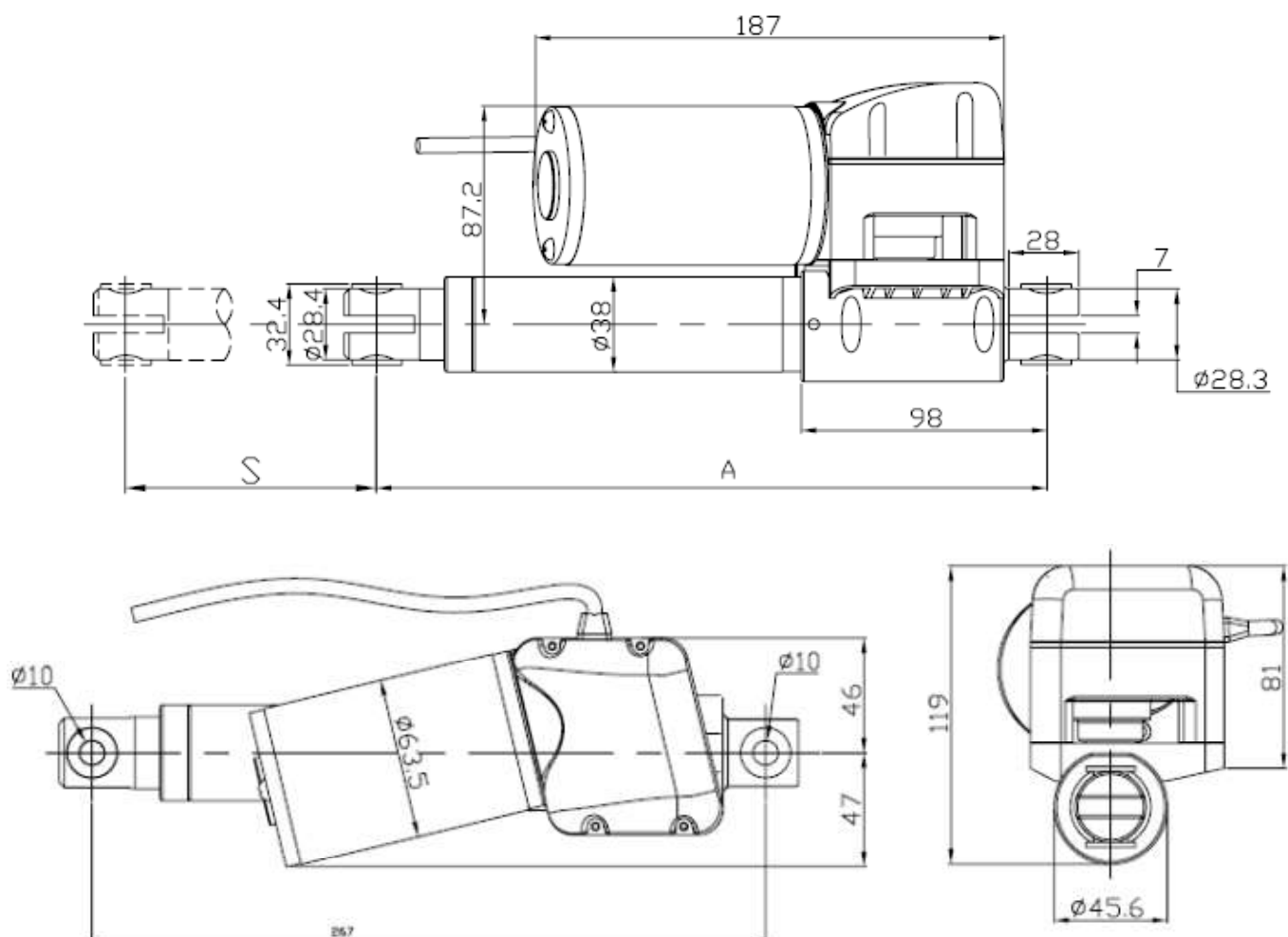


### Current / Load



## DIMENSIONS

Stroke S (mm)	100	150	200	250	300
Retracted length (mm)	267	317	367	417	467
Extended length (mm)	367	467	567	667	767



Unit : mm