

Linear actuator V160



TECHNICAL SPECIFICATIONS

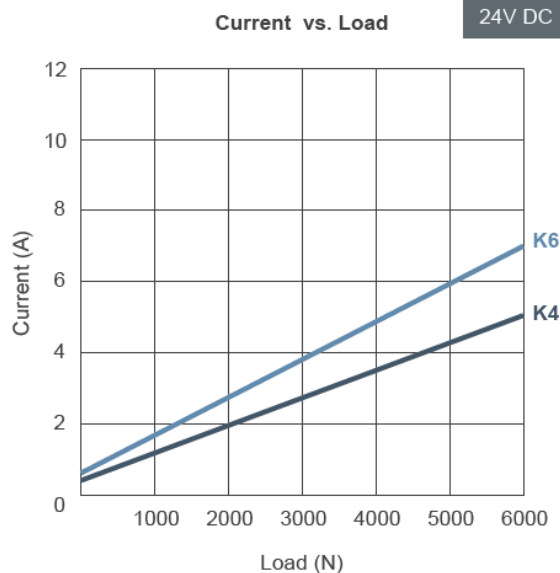
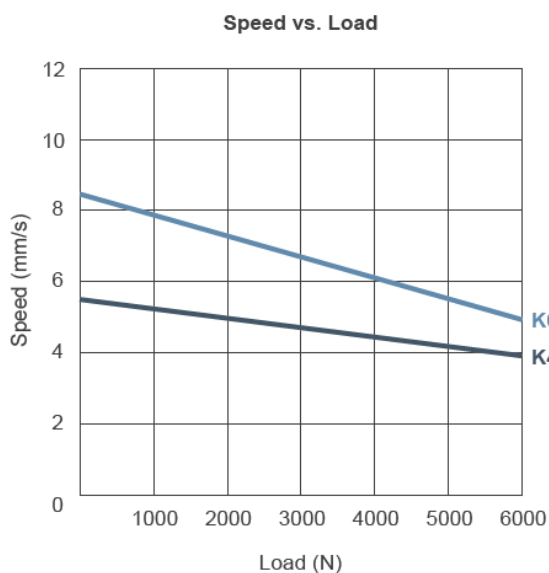
Input Voltage	24 Volts DC
Maximum force	-Push = 6 000 N -Pull = 6 000 N
Noise level	<52dB
Strokes	-standard 100 ~ 400mm or customized -preset cam type limit switches
Speed	-maximum 8.4 mm/sec. without load -maximum 4.9 mm/sec. at full load
Compatibility with control box	BC6C / BC4P / BC5P-M
Duty cycle	10% (2 mn continuous operation)
Ambient operation temperature	-10°C ~ +60°C
Color	Aluminium alloy outer tube and gearbox
Standards certification	EN 60601-1-2

Options :

Speed	Standard / Fast version (spindle pitch)
Bare screw nut	Without extension tube and outer tube
Rear connector orientation	90°
Color	Black color outer tube and gearbox

PERFORMANCES

Model No.	Push Max. (N)	Pull Max. (N)	*Typical Speed (mm/s)		*Typical Current (A)	
			No load	Full load	No load	Full load
V160-24K4-XXX.XXX-XX000X	6000	6000	5.5	3.9	0.4	5.1
V160-24K6-XXX.XXX-XX000X	6000	6000	8.4	4.9	0.6	7.0

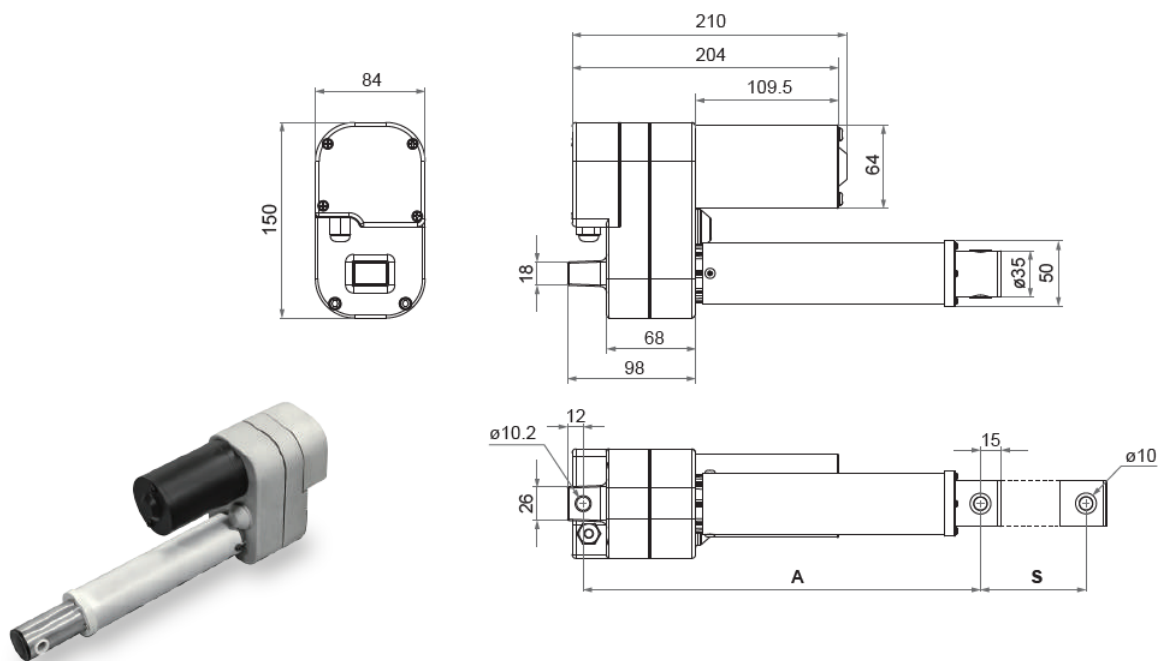


Remarks:

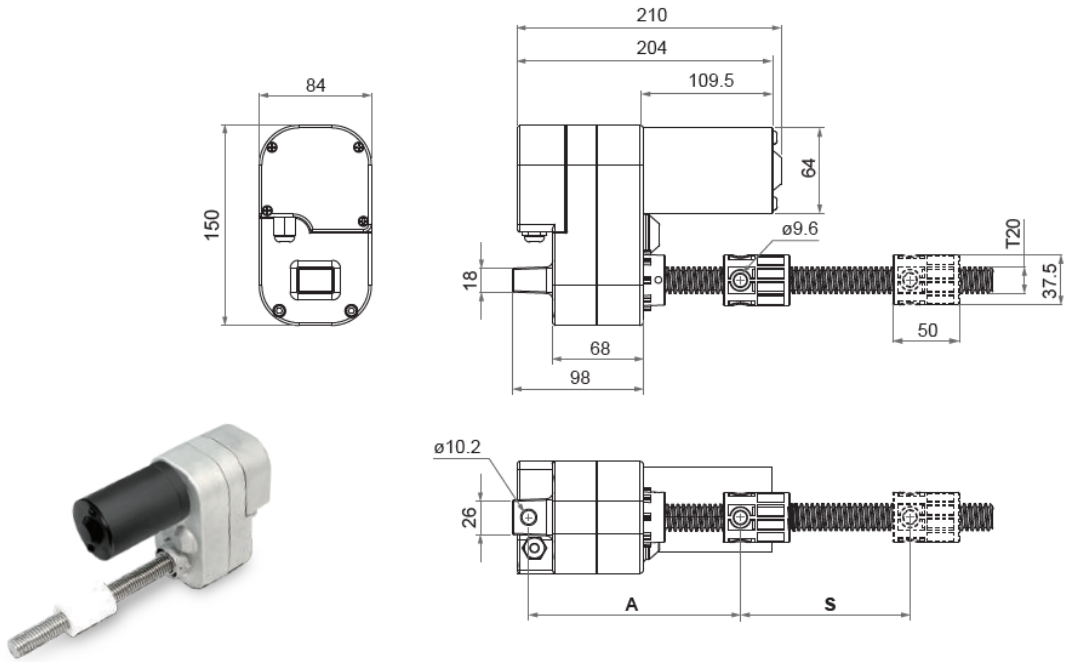
- * The typical speed or typical current means the average value neither upper limit nor lower limit. The performance curves are made with typical values.

DIMENSIONS

Standard, with extension tube



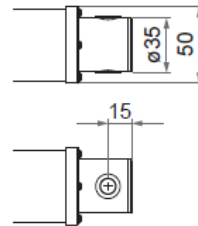
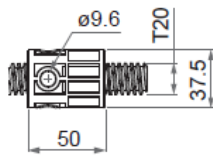
Bare screw nut



• Front Connector

0: Plastic nut, without extension tube and outer tube

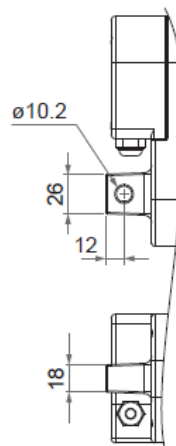
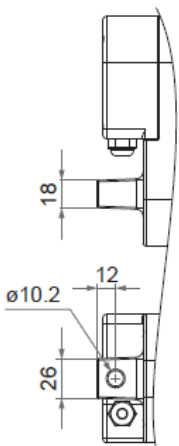
3: Drilled hole on inner tube with plastic bushing



• Rear connector

0: Alluminum, 0°

9: Aluminum, turn 90° in pivot orientation



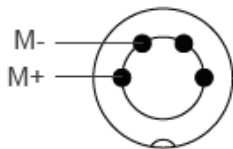
Installation Dimension

Installation Type	Front Connector #	Retracted Length (A)
Standard, with extension tube	3	$A \geq S + 190\text{mm} (\pm 3\text{mm})$
Bare screw nut	0	$A \geq 190\text{mm} (\pm 3\text{mm})$

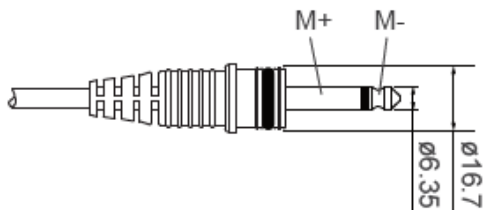
Available stroke (S) range = 100 ~ 400 mm
 Extended length = S + A

CABLE PLUG

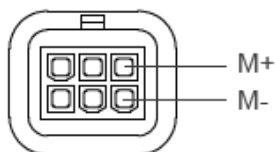
H-type or V-type DIN plug



J2-type phone jack



L2-type minifit 6-pin, 90° plug



Note: Connect (M+) to '+' & (M-) to '-' of DC power, the actuator will extend.

