



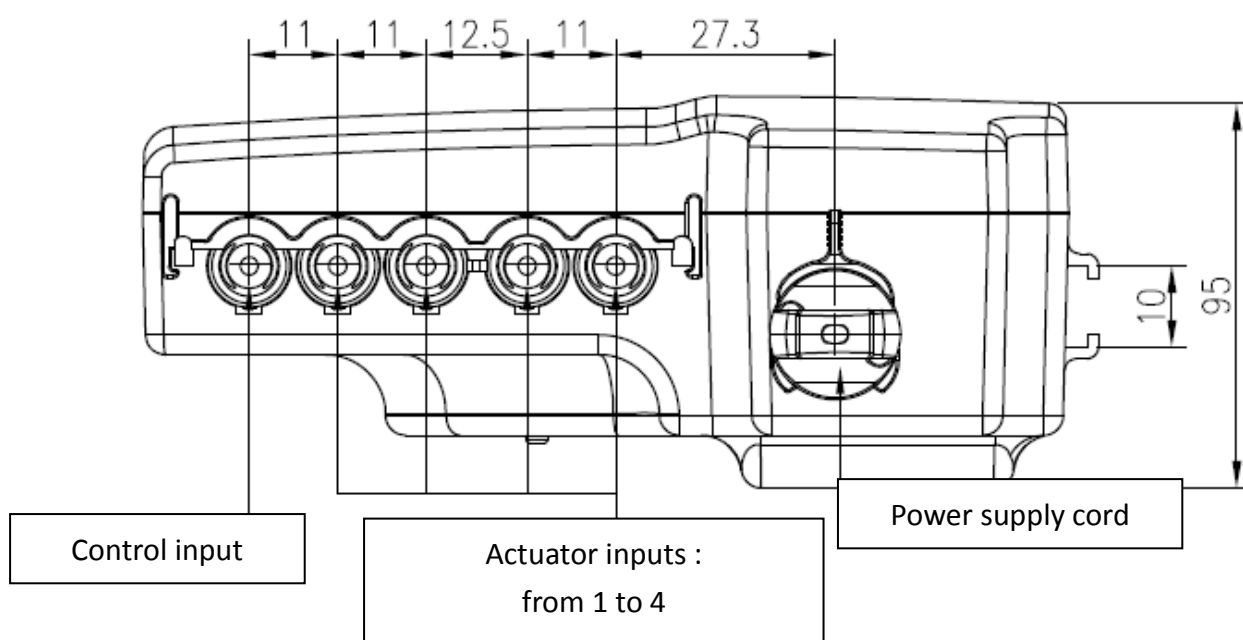
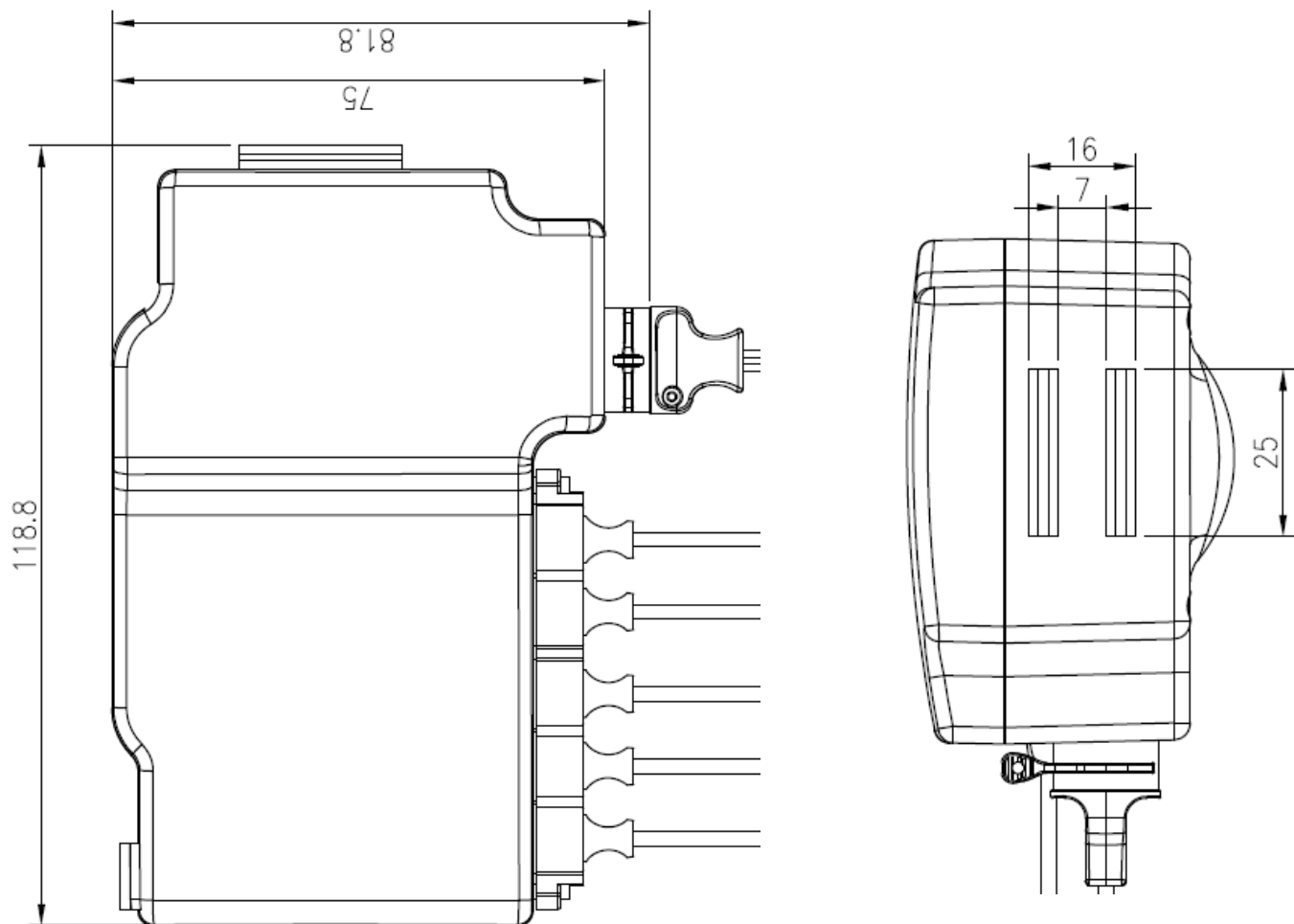
## TECHNICAL SPECIFICATIONS

Input voltage	100-240 VAC - 50/60 Hz
Output voltage	24 VDC
Power supply	SMPS 29V / 2A electronic transformer
Power capability	Maxi. 5A per channel
Number of actuators	Maximum 4 inputs
Number of controls	1 input
Actuator combination	Support joint-movement function
Customized software	MoBus Protocol
Compatibility	-Actuators: V60 / V62 / V66 / V21 / V80E / V82 -Hand-controls: H3T-M / HS12-M / CP1 / CP2 -Accessories: junction boxes JB1 / JB2-M / JB3 / SB1
Protection grade	IP55
Duty cycle	10% (2min operation/18min)
Protection class	Class II
Power cord length	3000 mm
Colour	RAL 7035 (Light Grey)
Standards certification	CE Marking / MDD Directive 93/42/EEC

### Options :

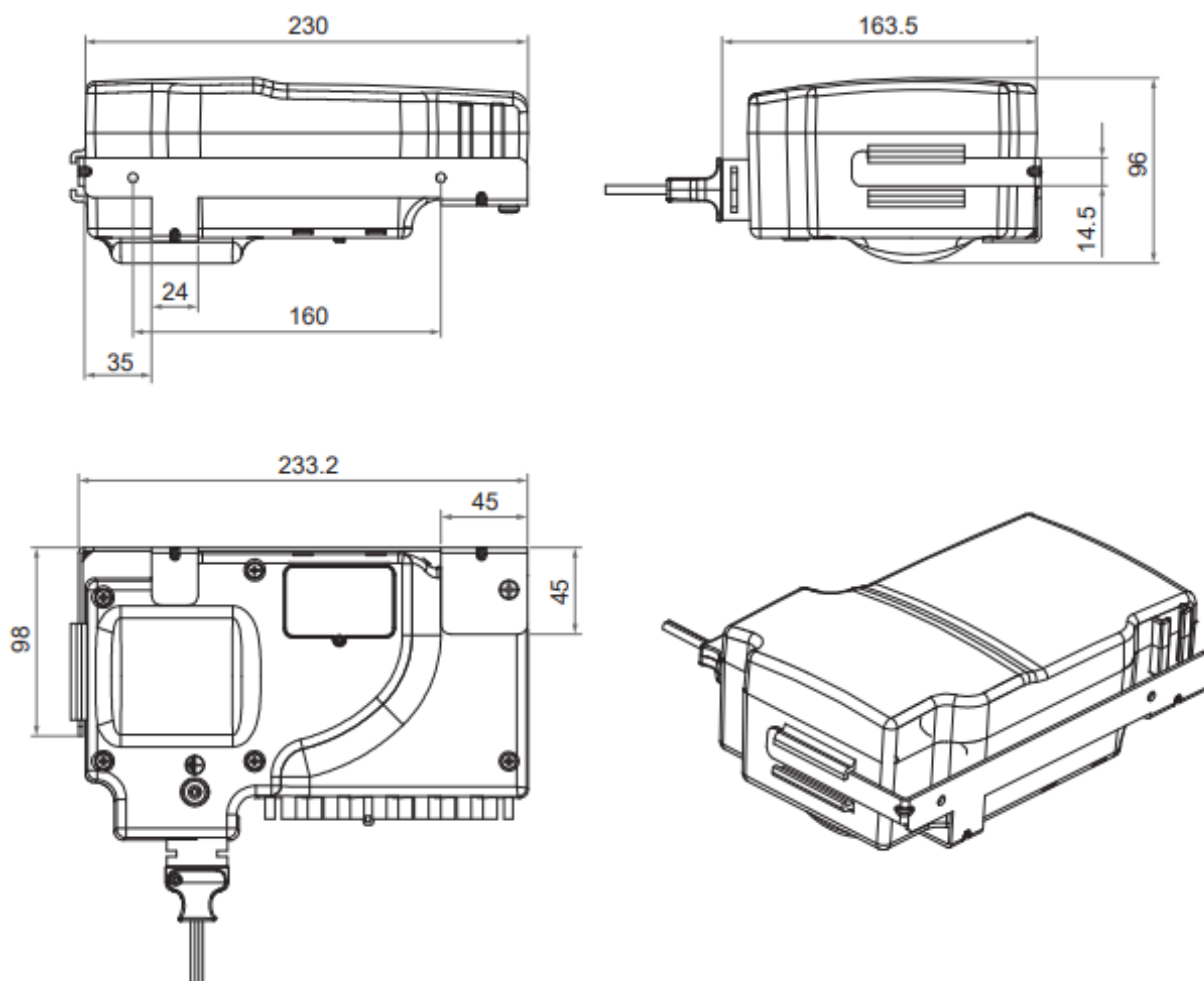
Positioning management	support Dual Hall effect sensor
External back-up battery	with charging function
Fixing	-C-clip to hook on actuator -independent bracket for separated control box

## DIMENSIONS

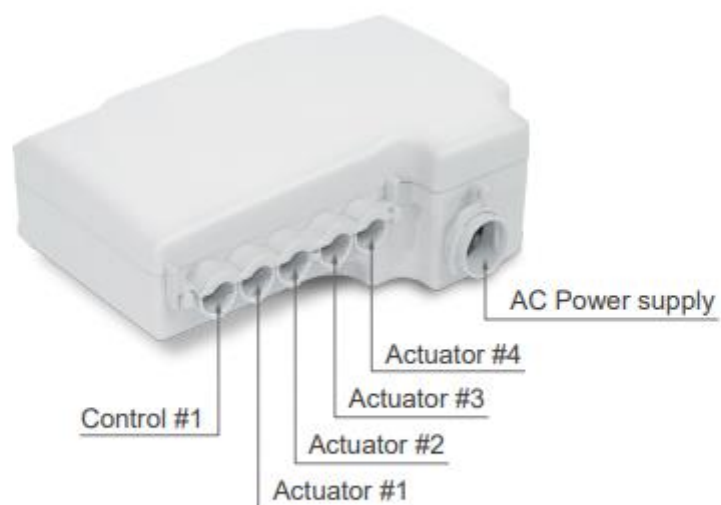


With fixing bracket

Unit: mm



## CONNECTIONS



## CABLE CONNECTORS

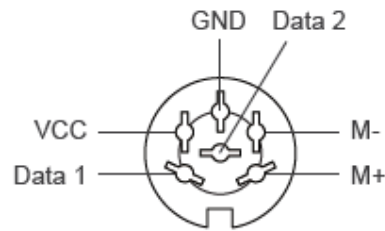
### Actuator socket for V-type or H-type DIN plug

- Without positioning feedback sensors



4-pin socket

- With dual Hall effect sensors



6-pin socket



V-type



H-type

### Control socket for V-type or H-type 7-pin DIN plug



7-pin socket

## ACCESSORIES AND CONTROLS

### ACCESSORY



**JB1 Junction box and under bed light**  
Extension for more controls connection.



**JB2-M Junction box**  
Connection for customized membrane switches.



**FL2 LED Floorlight**  
Optional accessories of JB3.



**JB3 Junction box**  
Extension for more controls connection.



**SB1 Stop button**



**CP1**  
Max. 21 buttons



**CP2**  
Max. 29 buttons



**H3T-M**



**HS12-M**

### HAND CONTROL