



## TECHNICAL SPECIFICATIONS

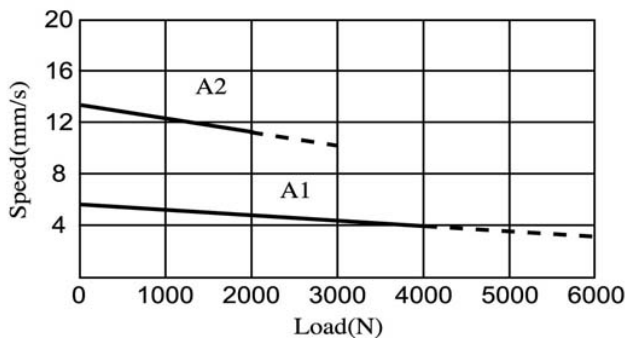
Motor type	24 Volts DC or 12 Volts DC
Push capability	6 000 N maximum
Pull capability	4 000 N maximum
Stroke	standard or customized
Speed	standard: 4.2 mm/sec.
Compatibility	control boxes CB1 / CB2 / CBP / NOVOMAT
Sealing protection	IP54
Operating temperatures	+5° to +40°
Duty cycle	10% (2 mn operation / 18 mn rest)
Colour	RAL 7035 (light grey)

### Options :

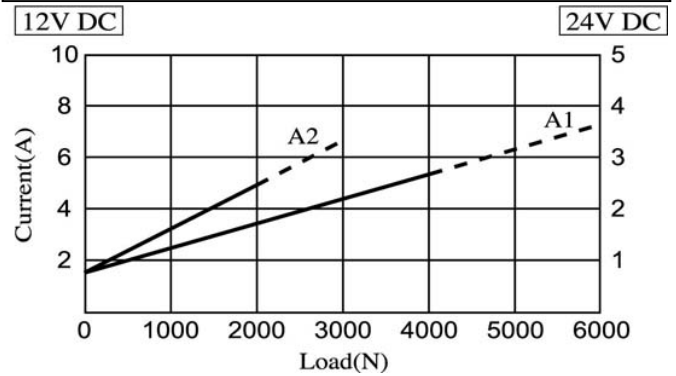
Speed	maximum 16.6 mm / sec. unloaded
Dimensions	stroke and retracted length upon request
Mechanical safety	-Push Only -safety nut
Fixing type	various models with or without clevis (Metal / Plastic)
Direction of fixing clevis	0° or 90°
Synchronisation / Memory function	with hall effect sensors
Protection grade	IP66

## PERFORMANCES

### Speed / Load

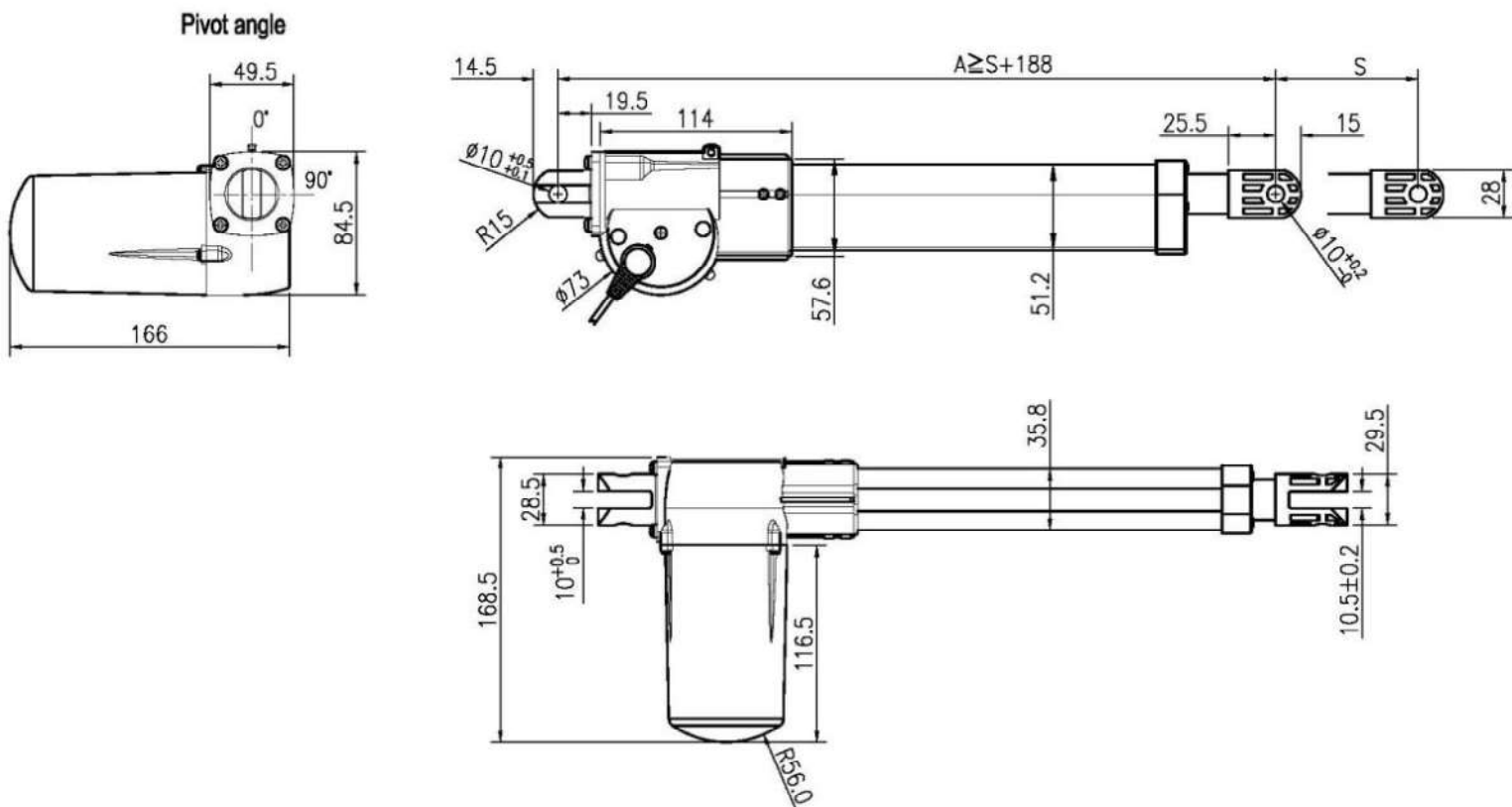


### Current / Load



## STANDARD DIMENSIONS

Stroke (S)	50mm	100mm	150mm	200mm	250mm	300mm
Retracted length (A)	228mm	278mm	338mm	388mm	448mm	498mm
Extended length	278mm	378mm	488mm	588mm	698mm	798mm



Unit = mm