



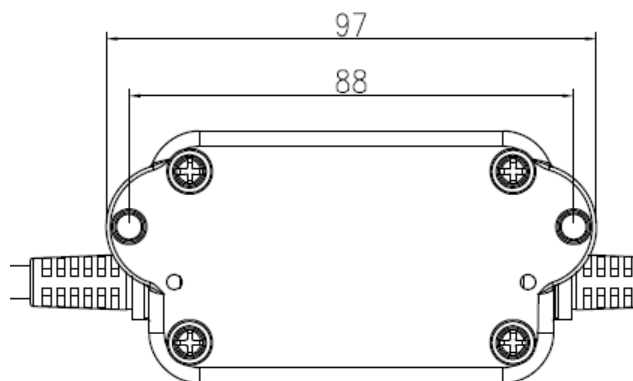
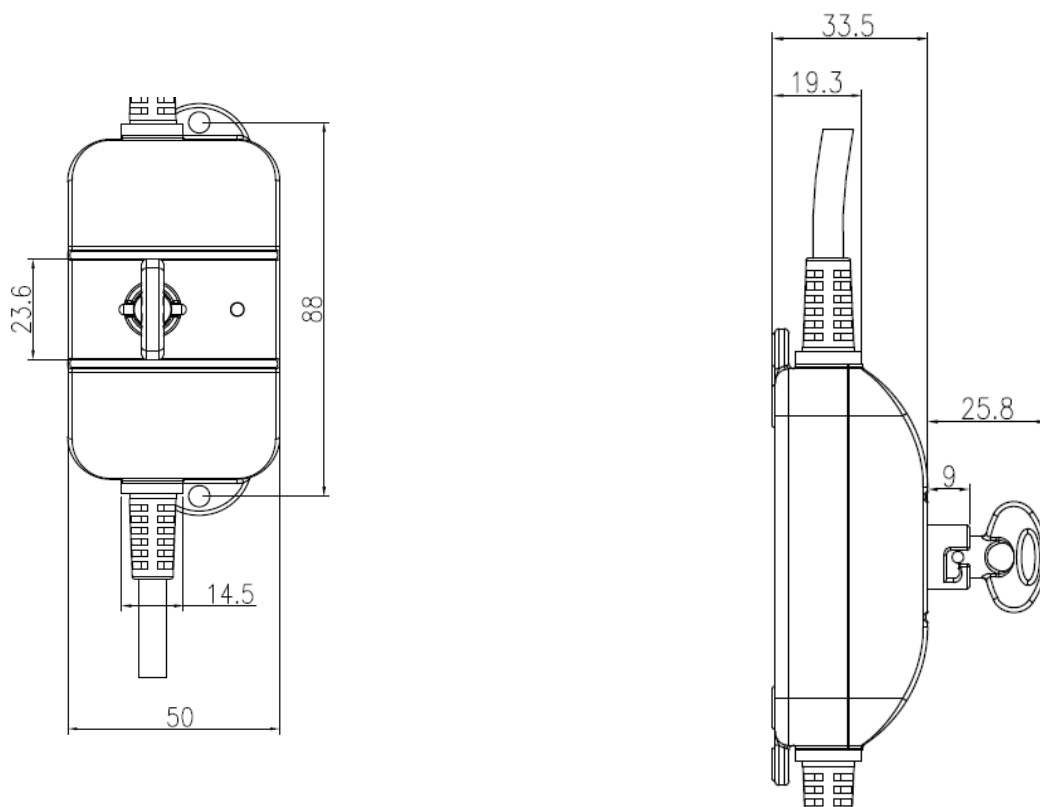
TECHNICAL SPECIFICATIONS

Lock-out type	by removable key for AC Mains cut-off
Input voltage	-100 / 120 VAC- 60Hz -230 VAC - 50Hz
Stand-by power consumption	2 VA
Input/Output cable standard length	- 3 m / 1 m - 3m / 250 mm
Power consumption	maximum 414 VA
AC power ON indicator	by green LED
Protection grade	IP54
Compatibility with control boxes	BC20 / BC60 / V80M / CBP
Fixing type	holes to screw on frame
Colour	RAL 7035 (light grey)

Options :

Protection grade	IP65
------------------	------

DIMENSIONS



Lock-out key

