

Linear actuator V70A



TECHNICAL SPECIFICATIONS

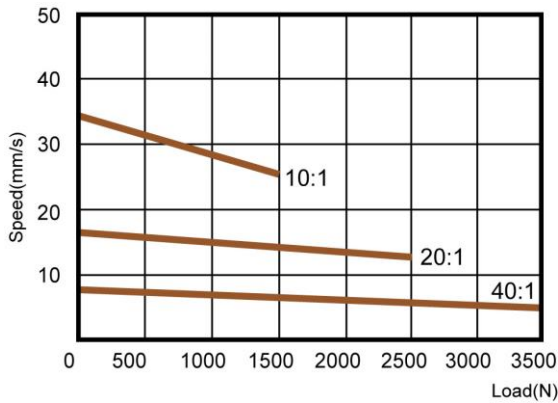
Motor type	24 V DC or 12 V DC
Screw	ACME screw
Protection grade	IP54
Maximum strength	3500 N in push / 3500 N in pull
Static load capability	4500 N
Over-load protection	by clutch
Gear ratio	10:1 / 20:1 / 40:1
Strokes	from 102 mm to 610 mm (with or without limit switch)
Speed	maximum 26.7 mm / sec. at full load
Current	maximum 17.6 A under 12 VDC at full load
Inner tube material	Stainless steel
Duty cycle	25 %
Operating temperatures	-25° C to +60° C
Colour	black

Options :

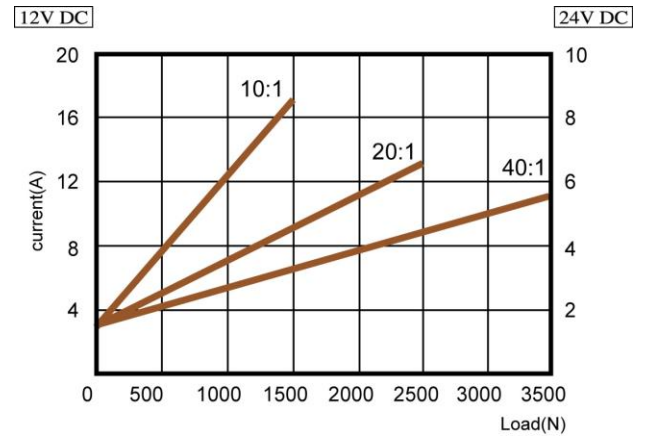
Adjustable stroke	fine-tuning by limit cam
Positioning setting	by potentiometer
Manual drive	by hand crank
Protection grade	IP65

PERFORMANCES

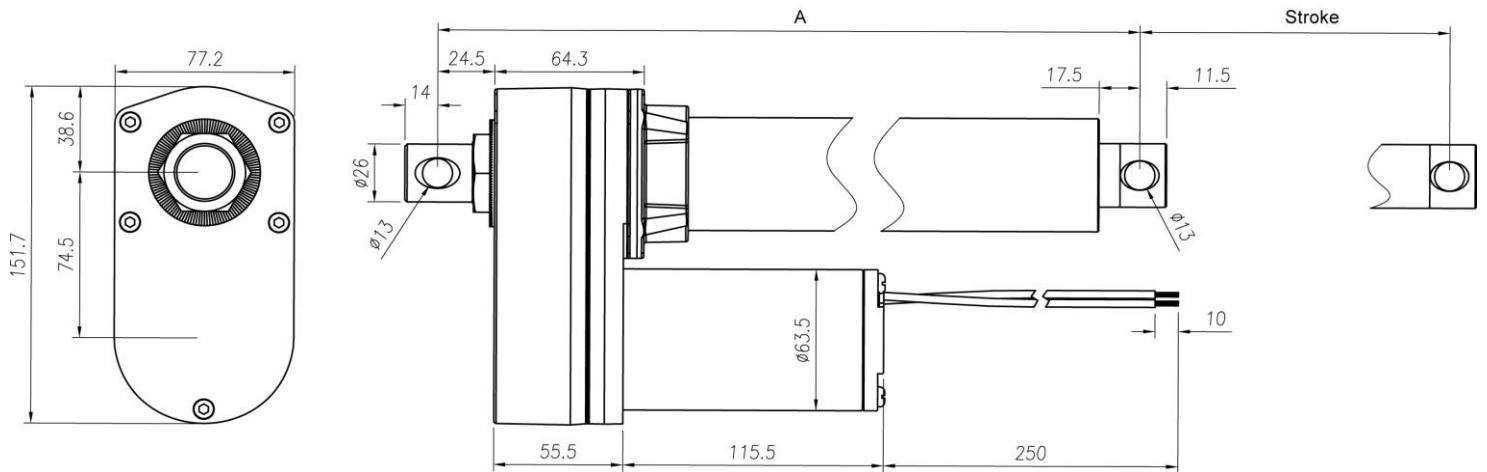
Speed / Load



Current / Load



DIMENSIONS



Standard version :

Micro-switches / Potentiometer :

Stroke mm (B-A)

Stroke mm (B-A)	100 mm	150 mm	200 mm	300mm	457mm	610mm
A	262 mm	313 mm	364 mm	465mm	696mm	848mm
B	362mm	463 mm	564 mm	765mm	1153mm	1458mm

Stroke mm (B-A)	100 mm	150 mm	200 mm	300mm	457mm	610mm
A	302 mm	353 mm	404 mm	505mm	736mm	888mm
B	402mm	503 mm	604 mm	805mm	1193mm	1498mm

Gear Ratio :

Gear Ratio	Max. push (N)	Max thrust (N)	Speed (mm/sec)	Speed on load (mm/sec)
10 :1	1 500	1 500	35	21
20 :1	2 500	2 500	17	13
40 :1	3 500	3 500	8	7

Sizes with Potentiometer :

