



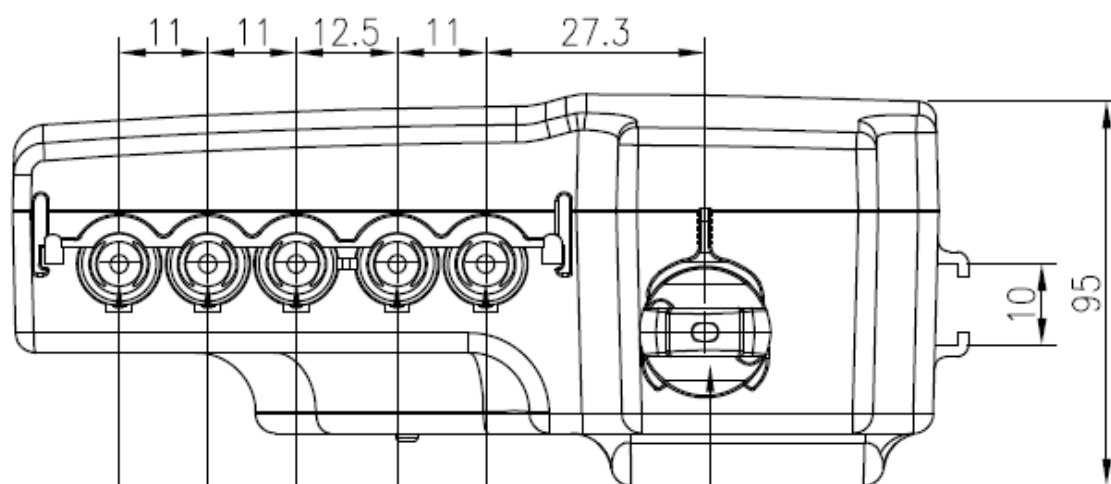
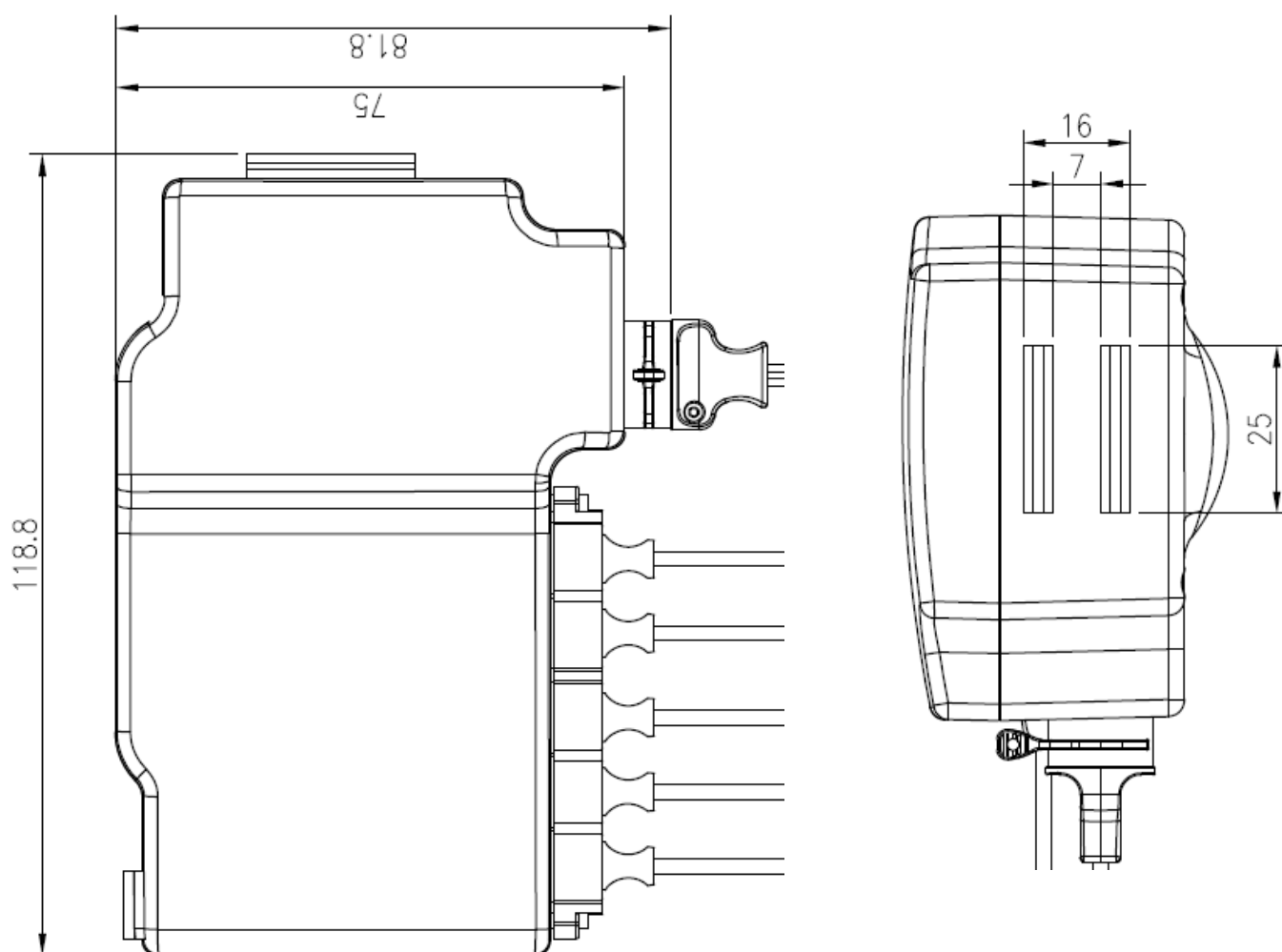
TECHNICAL SPECIFICATIONS

Input voltage	-100 / 120 VAC-60 Hz -230 VAC - 50Hz
Output voltage	24 VDC
Power / current	maximum 6.5 A at 24 VDC
Over-current protection	3 A per actuator output
Actuator connections	from 1 to 4
Control connections	1 or 2
Protection grade	IP54
Protection class	Class II
Fixing type	Fit to main actuator (V60 type)
Duty cycle	10% (2 mn operation / 18 mn rest)
Colour	RAL 7035 (light grey)

Options :

Fixing type	plate with screws to attach on frame
Emergency lowering function	by 2 x batteries 9V
Protection grade	IP65 / IP66

DIMENSIONS



Control connection

Actuator connections :
 - from 1 to 4
 - or 3 actuators + 2 controls

Power supply cord