



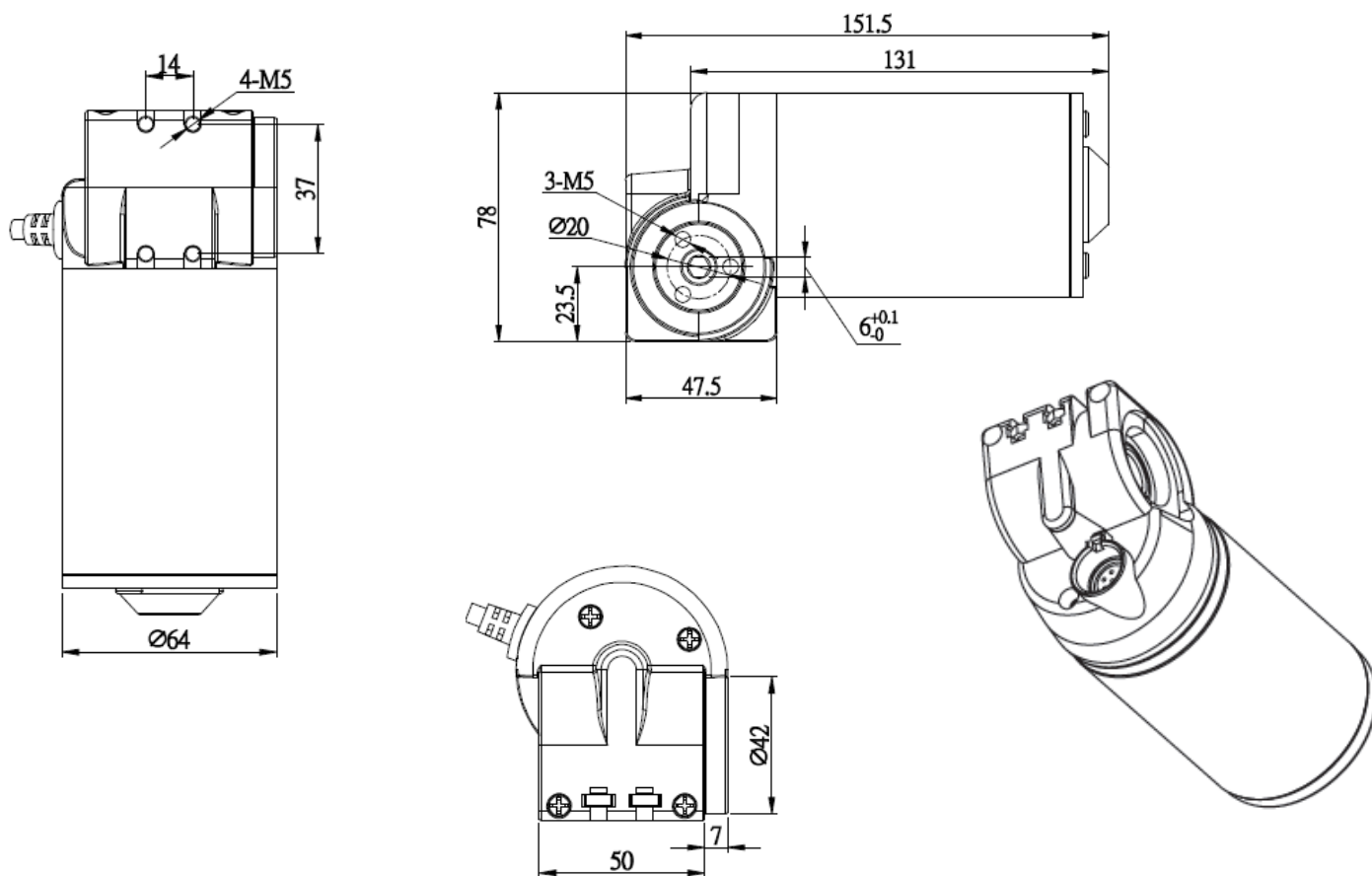
TECHNICAL SPECIFICATIONS

Motor voltage	24 VDC
Rotation speed	83 rpm
Torque	7 Nm maximum
Current consumption	5 A @ 24 VDC
Positioning feedback	dual hall sensor 5 VDC / 0.3 A
Drive fittings	hollow shaft w/ hexagonal SW6
Protection	IP30
Connector type	Molex minifit 6-pins
Cable type	straight cable w/ L=1000 mm
Compatibility	control box DKC / DKS spindles (Desk Lift application)
Duty cycle	10% (2 mn operation / 18mn rest)

Options:

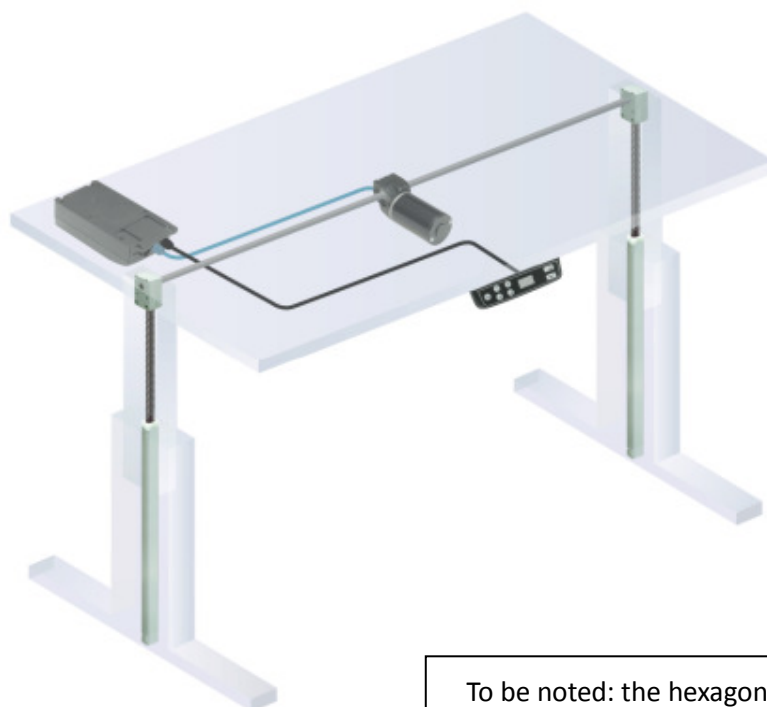
High speed version	rotation speed 110 rpm
--------------------	------------------------

DIMENSIONS



Scale: mm

EXAMPLE OF APPLICATION



To be noted: the hexagonal drive rod is not supplied.