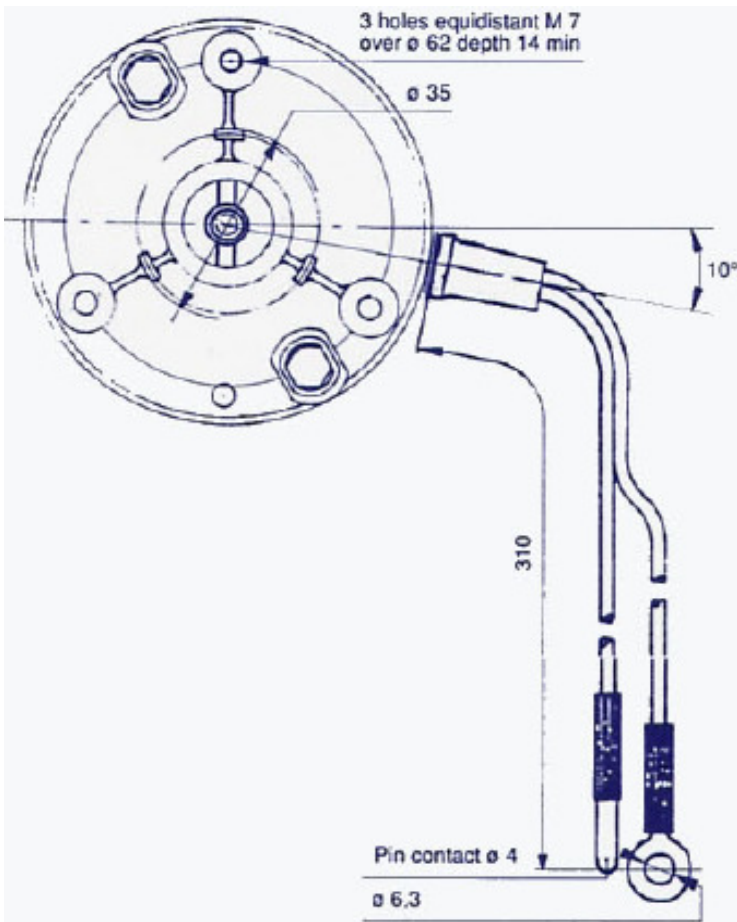
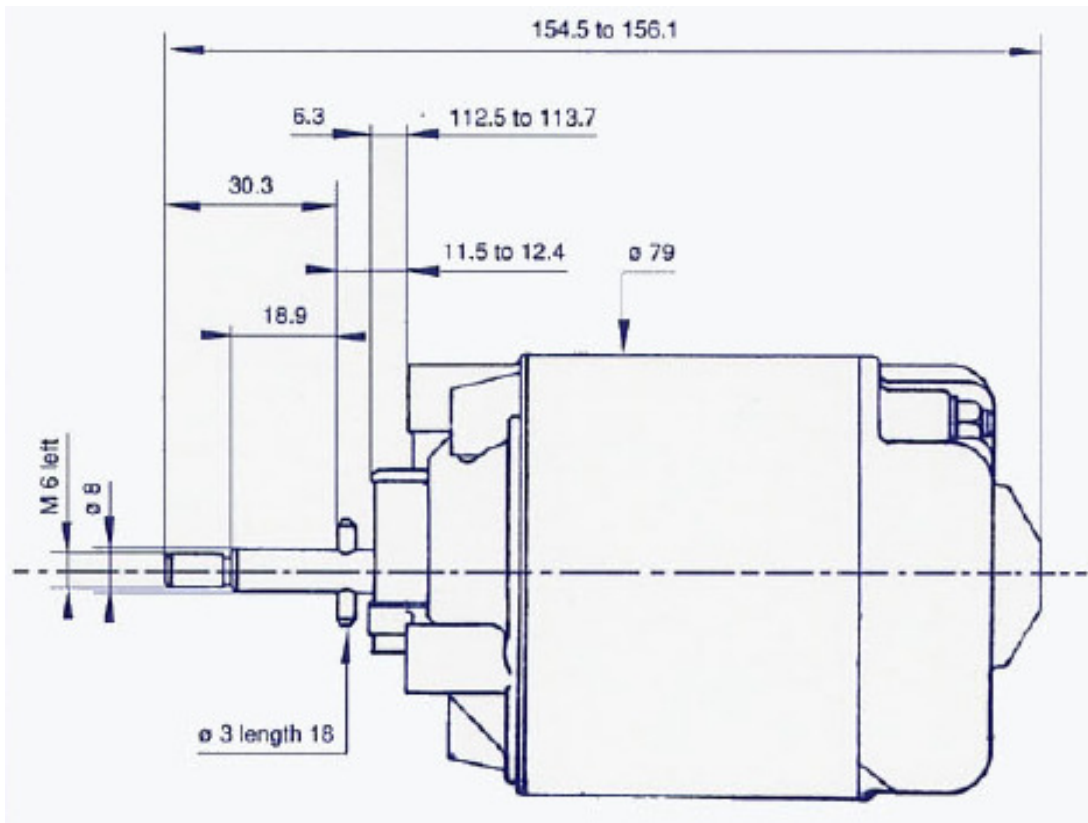


TECHNICAL SPECIFICATIONS

Input voltage	12 Volts CC or 24 Volts CC
Operation power	110 Watts maximum
Starting torque	1.5 Nm maximum
Rotation direction	clockwise or anti-clockwise
Rotation speed	4550 rpm maximum
Current consumption	5.5 A
Drive	cylindrical output with threaded shaft
Sealing protection	IP42
Operating temperatures	-30° to +80° C
Operation lifetime	2000 hours in continuous operation
Inductors	magnets
Weight	1.4 Kg

DIMENSIONS



Test voltage : 28 Volts

