

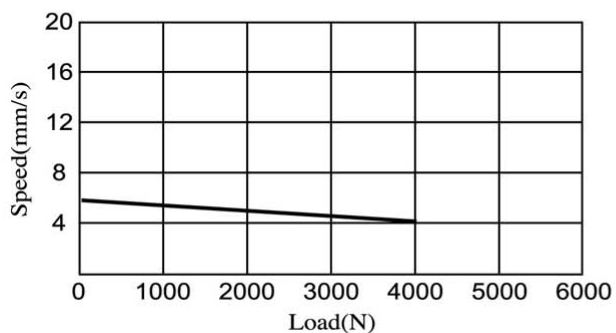


TECHNICAL SPECIFICATIONS

Input Power supply	100 VAC to 240 VAC
Switch Mode Power Supply	internal SMPS
Protection grade	IP 20
Thrust capability	2 x 4 500 N
Speed	5 mm / sec. unloaded
Strokes	standard 87 mm / 69 mm
Installation dimension	581 mm
Emergency lowering reset	by 1 x 9 V battery
Colour	Black
Control types	compatible with all models including radiofrequency
Operation temperature	+5° to +40°
Protection class	Class II
Duty cycle	2 mn operation / 18mn rest (10%)

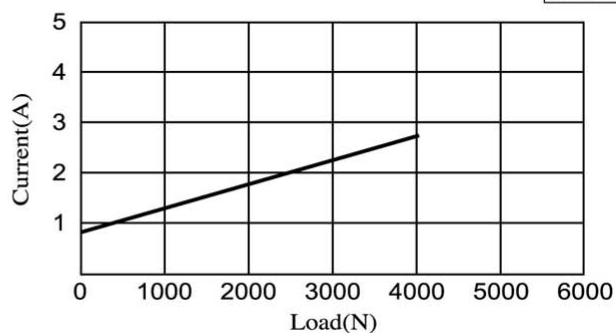
PERFORMANCES

SPEED / LOAD

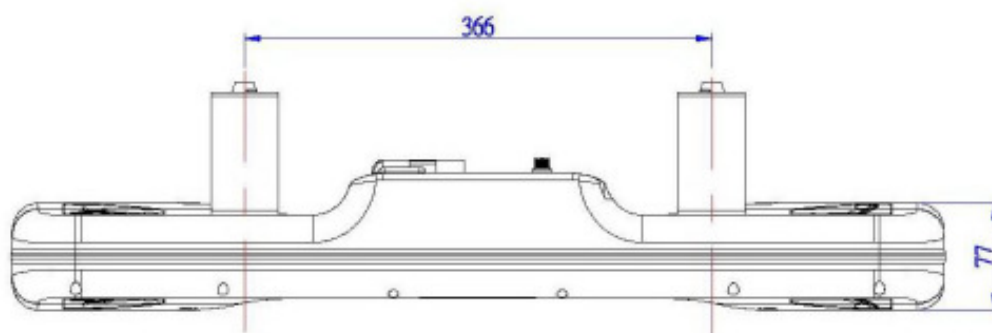
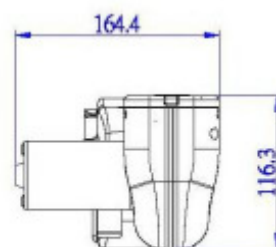
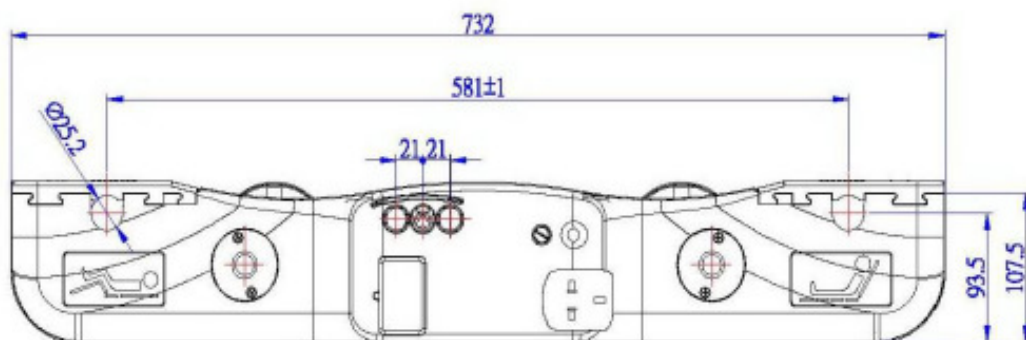


CURRENT / LOAD

24V DC



DIMENSIONS



Unit = mm