

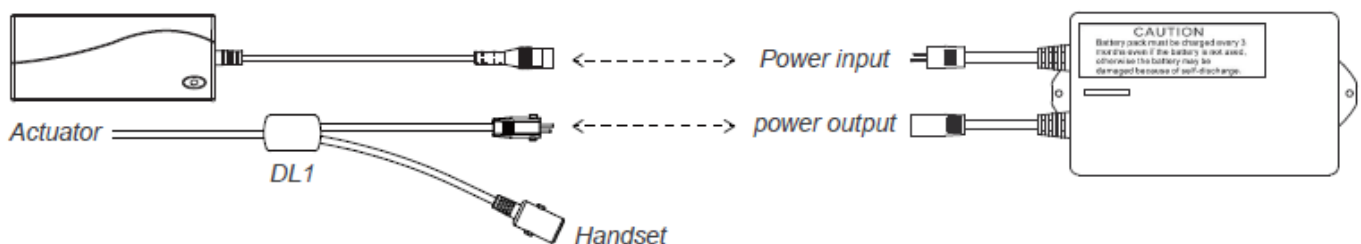
Battery-pack ACCUBOX (Lithium battery)



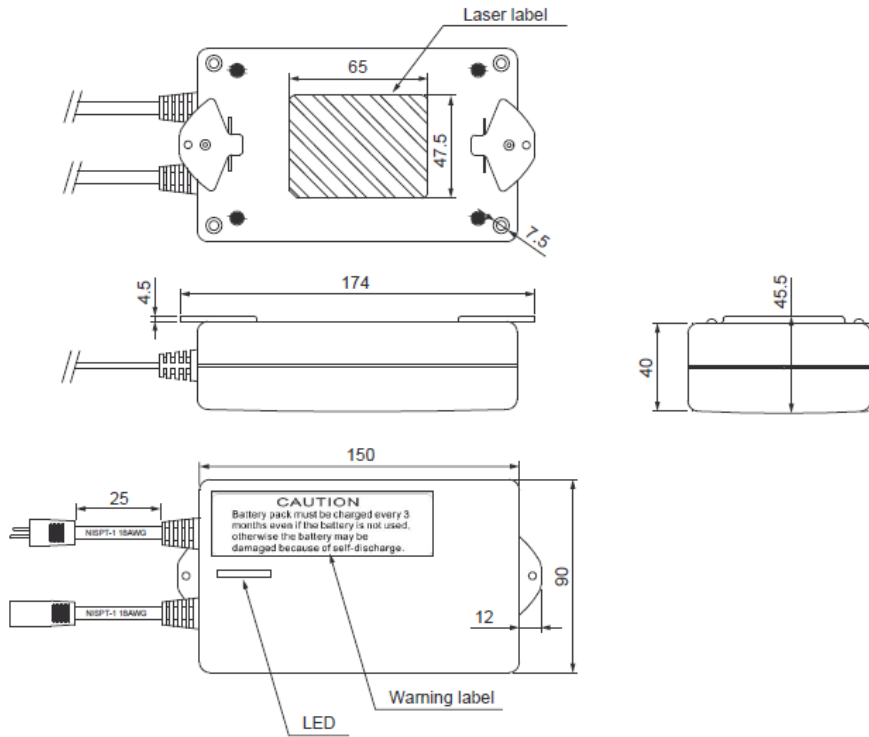
TECHNICAL SPECIFICATIONS

Portable power supply box	with Lithium cells type 18650 and control board
Actuator model compatibility	V10 / V21 / V22 / V23 with special cable DL1
Input voltage / Input current	24~32 VDC / 0.6~3.0 A
Output voltage / Output current	21~29 VDC / 3.0 A
Capacity of Lithium cells	1800 mAH
Nominal voltage	25.2 A
Electronic protection	-over-current protection 5 A -discharge protection -over-charge protection -short-circuit protection
Charge mode of battery-pack	Switch mode power supply TES1/TES2
Ambient operation temperature	0° C ~ +40° C
Storage humidity	20% ~ 85 %
Color	Black

Special cable DL1 to connect to battery pack, without control box.



DIMENSIONS



DESCRIPTION OF OPERATION AND PRECAUTIONS

Function	Description
Charging indication	During charging, the LED indicator will be flashing in red when the battery pack is <math><28.5\text{V DC}</math>
	The LED indicator will turn green once the battery pack is fully charged.
Protection measure	The battery pack will stop charging once its voltage reaches 29V DC.
	The battery pack will not work if its voltage drops below 18V DC.
	If the current consumption reaches 5A, the battery pack will cut off the output voltage supply after 60 seconds. Peak current protection is set at 14A.
	There's short circuit protection for this battery pack.

- Please use the battery pack according to the specification mentioned in the datasheet.
- Please charge the battery at least every 50 days.
- For a brand new product, please connect it to a proper charger until the LED indicator turns red.
- The battery pack is fragile. Please handle with care, and keep it away from heat.