

Linear actuator V120



TECHNICAL SPECIFICATIONS

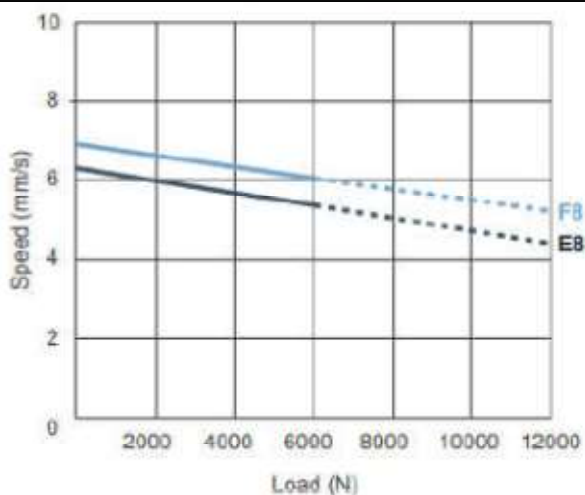
Motor type	24 Volts DC
Maximum strength	10 000 N in Push / 6000 N in Pull
Strokes	standard or tailor-made
Speed	standard : 5.2 mm / sec. under 10 000 N
Protection grade	IP54
Mechanical safety	safety nut
Compatibility	control boxes BC4P / BC5P / VEOBOX
Tube material	-inner tube : Stainless steel -outer tube : Aluminium
Colour	RAL 7035 (light grey)
Duty cycle	10% (2 mn operating / 18 mn rest)
Operating temperatures	+5° to +40°

Options :

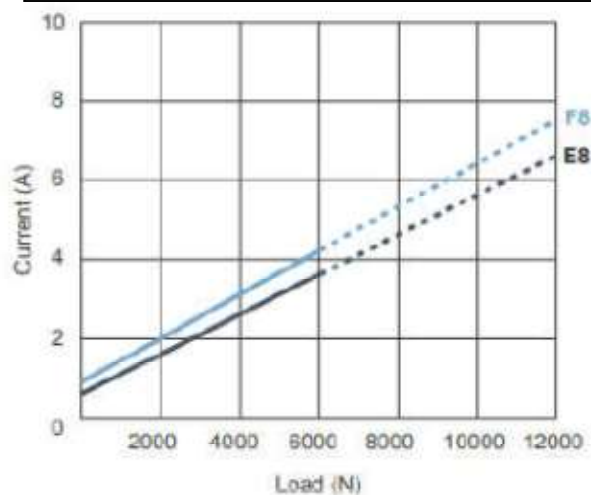
Emergency lowering function	mechanical release MR3
Protection grade	IP66
Mechanical safety	-Mechanical Push Only function (extension tube) -Electrical Push Only function (ESD)
Orientation of rear fixing clevis	0° or 90°

PERFORMANCES

Speed / Load



Current / Load



Push / Pull Load — Push Load - - -

STANDARD DIMENSIONS

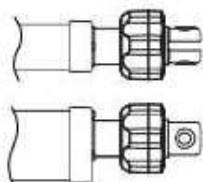
Stroke Range (S) in mm	Minimum Retracted Length (A) in mm	
	Standard	With MR3 Manual emergency release
100 mm < S < 300 mm	A > S + 230 mm	A > S + 267 mm
300 mm < S < 400 mm	A > S + 250 mm	A > S + 287 mm

Nota Bene:

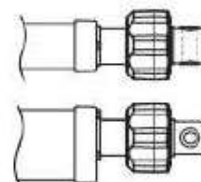
-Available standard stroke range = 100 mm to 400 mm / customization possible upon request

-Extended length = S + A

Option Manual Emergency Release type MR3

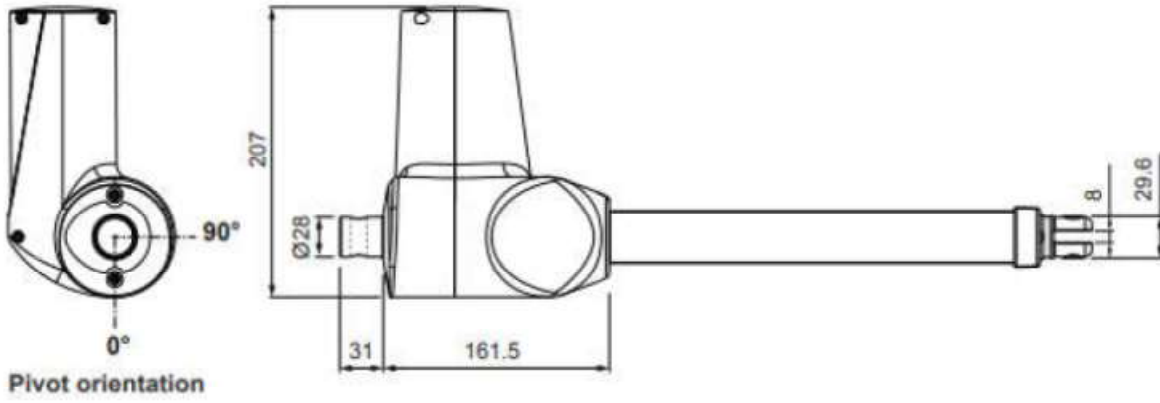
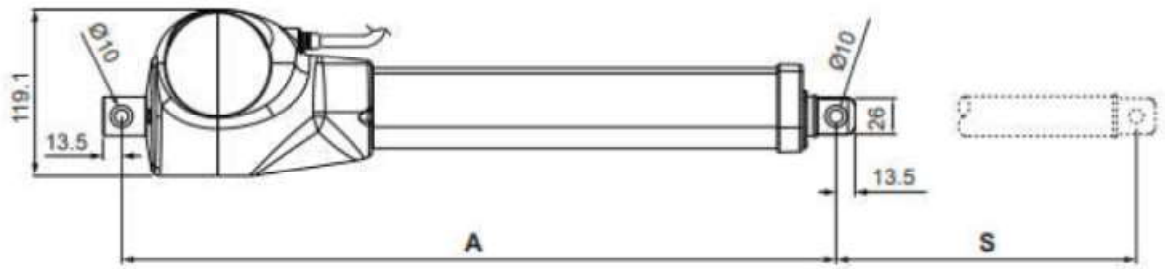


5: Slot type Zinc alloy with MR3, bushing Ø10
6: Without bushing Ø12
(For push load only)



7: Solid type Zinc alloy with MR3, bushing Ø10
8: Without bushing Ø12
(For push load only)

Standard (without manual release)



With MR3 manual release

