

Linear actuator V3S (Quiet version)



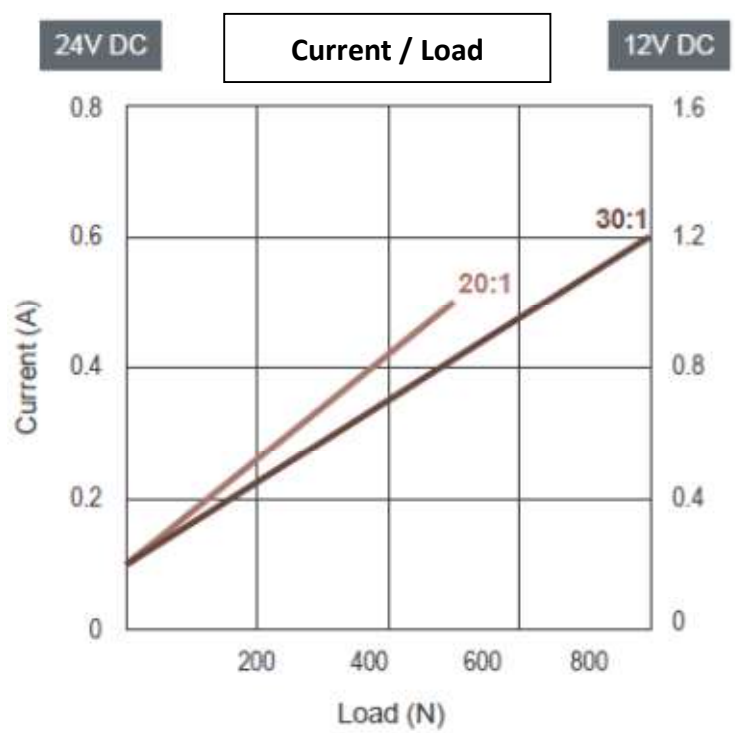
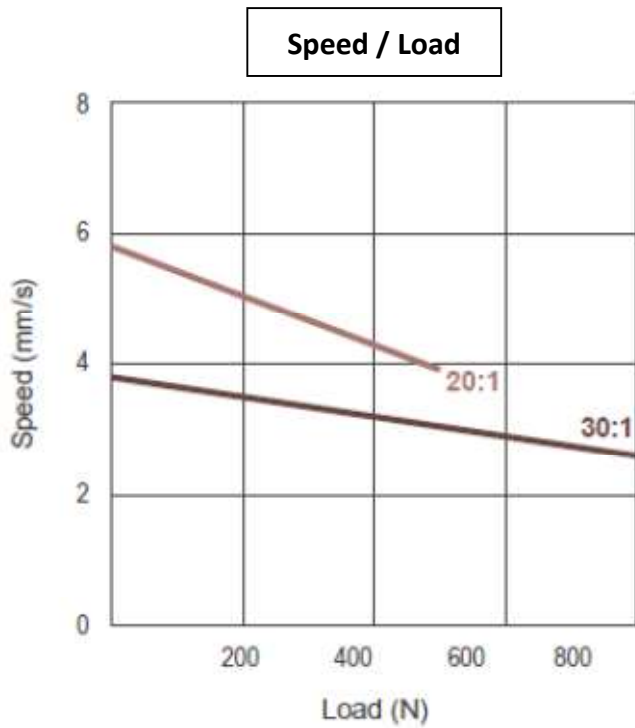
TECHNICAL SPECIFICATIONS

Noise level	< 55 dB (quiet version)
Motor type	24 Volts DC or 12 Volts DC
Push capability	maximum 1000 N
Pull capability	maximum 1000 N
Static load	maximum 2500 N
Speed	-maximum 44 mm/sec. unloaded -maximum 5.5 mm/sec. loaded at 1000 N
Sealing protection	IP54
Gear ratio	5 :1 / 10 :1 / 20 :1 / 30 :1 / 40 :1
Control boxes compatibility	compatible with all models of Umec control boxes
Operating temperatures	-25° to +65°
Duty cycle	25% (1 mn operation / 4 mn rest)
Colour	Grey aluminium
Standards certification	EMC directive 2014/30/EU

Options :

Direction of motor-side clevis	0° or 90°
Fixing	-clamp connector -mounting bracket
Sealing protection	IP65
Analog positioning feedback	potentiometer
Positioning signal feedback	1 or 2 hall effect sensors

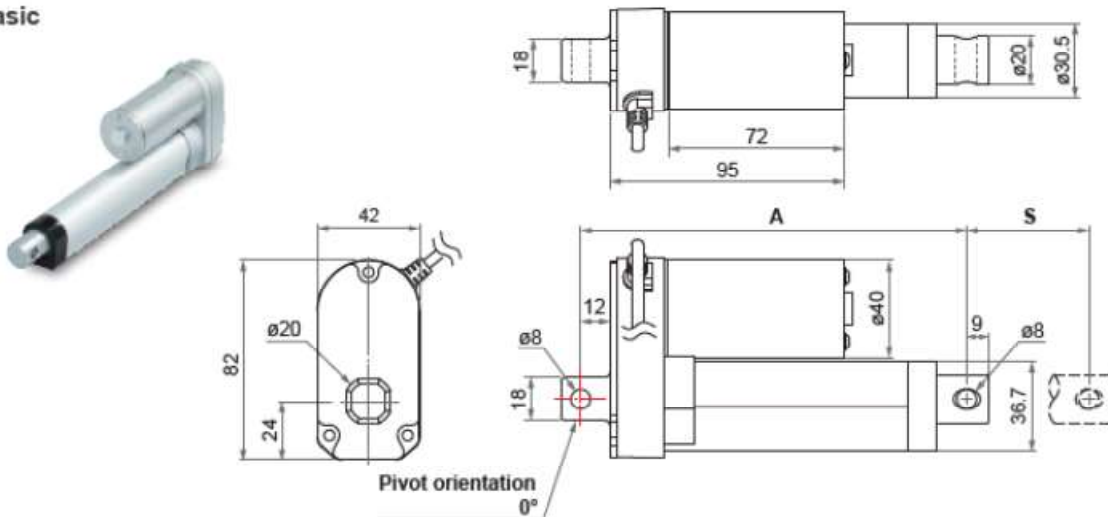
PERFORMANCES



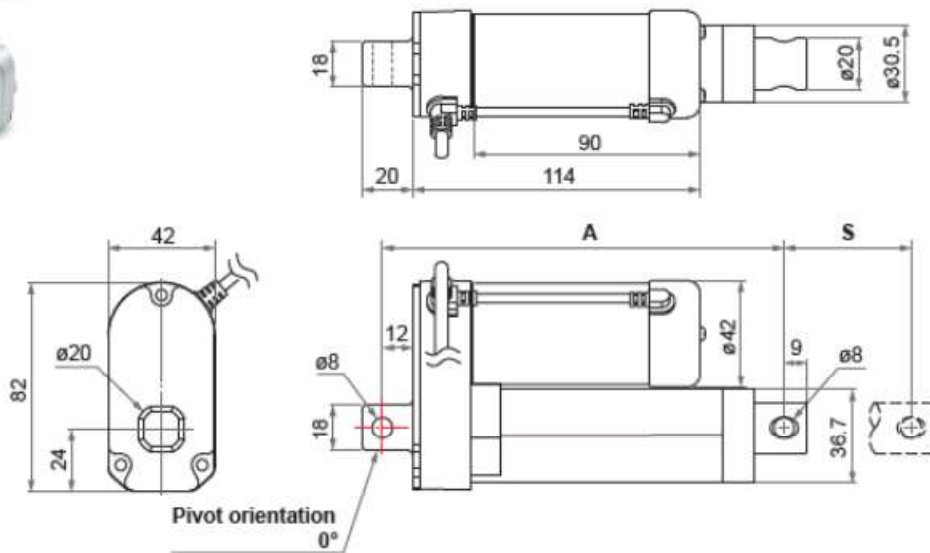
Gear ratio	Push / Pull Max. (N)	Self-locking force Max. (N)	Typical Speed (mm/s)		Typical Current (A)				Noise level (dB)
			No load	Full load	No load		Full load		
					24V	12V	24V	12V	
20:1	500	2500	5.8	3.9	0.1	0.2	0.5	1.0	≤ 55
30:1	800	2500	3.8	2.6	0.1	0.2	0.6	1.2	≤ 55

STANDARD DIMENSIONS

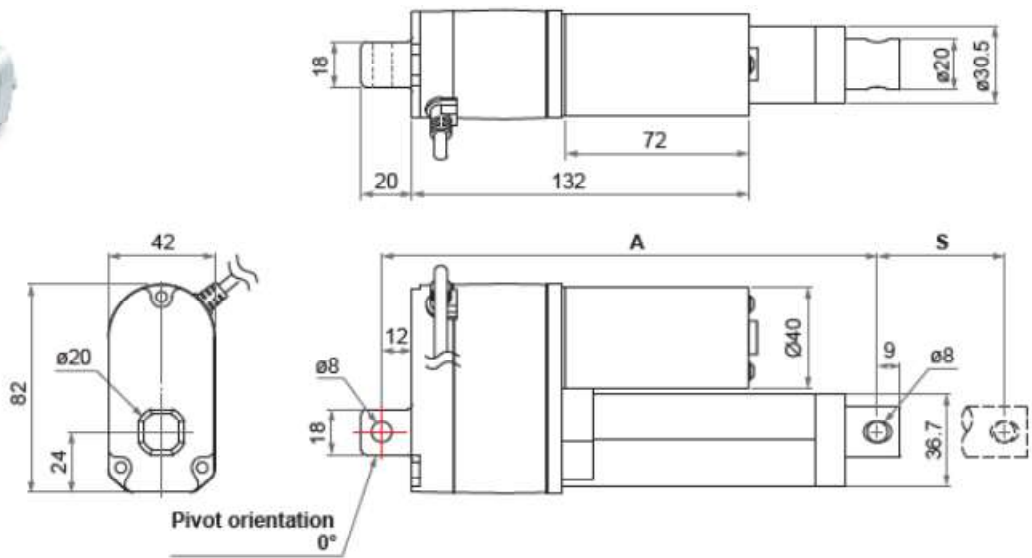
• Basic



● With Hall effect sensor



● With Potentiometer



Note: As an example in 0° orientation for rear connector.

● Installation Dimension

Retracted length (A)

Option	Front connector code	Stroke (S)					
		50	100	150	200	250	300
Standard or Hall sensor	1, 4	158	209	260	311	362	413
	3	199	250	301	352	403	454
	6	168.5	219.5	270.5	321.5	372.5	423.5
POT	1, 4	195	246	297	348	399	450
	3	236	287	338	389	440	491
	6	205.5	256.5	307.5	358.5	409.5	460.5

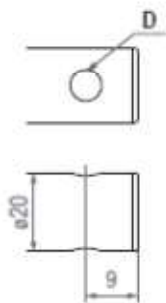
(tolerance: ±3mm)

Note: other customized strokes available upon demand.

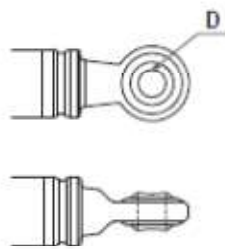
FIXING CONNECTIONS

• Front Connector

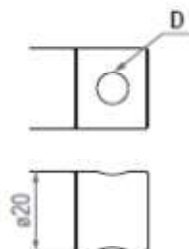
1: Drilled hole



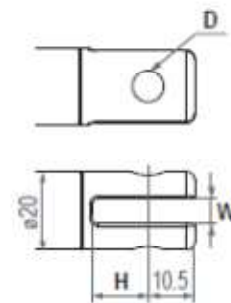
3: Spherical rod eye



4: Plastic solid



6: Plastic slot



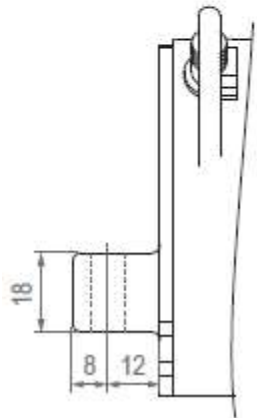
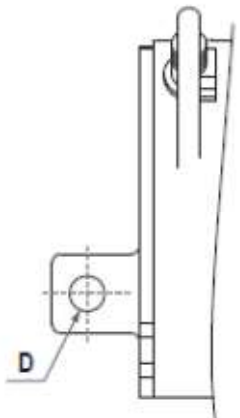
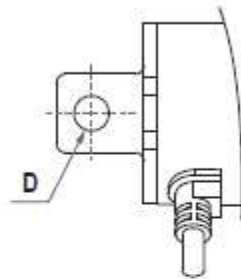
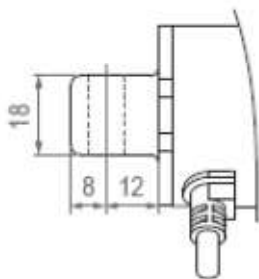
• Rear connector

1: Zinc alloy clevis, 0°

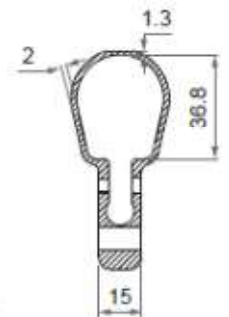
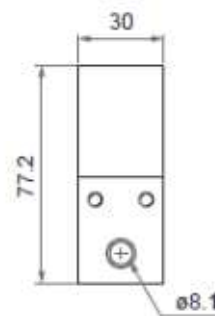
3: Zinc alloy clevis, 90°

2: Aluminum alloy clevis, 0°

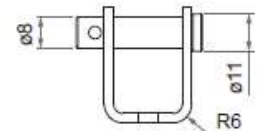
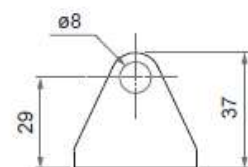
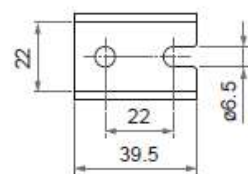
4: Aluminum alloy clevis, 90°



• Clamp



• Mounting bracket (MB22)



Front connector code	Diameter of pivot without bushing (D)	Slot width (W)	Slot depth (H)
1	ø6.4, ø8, ø10	N/A	N/A
3	ø8	N/A	N/A
4	ø8, ø10	N/A	N/A
6	ø8, ø10	6	15
Rear connector code			
1	Regular version: ø6.4, ø6.5, ø8, ø10 Quiet version: ø6.4, ø8, ø10	N/A	N/A
2			
3			
4			