



TECHNICAL SPECIFICATIONS

Main applications	Industrial equipment
Input voltage	24 Volts DC
Push capability	1 000 N maxi
Pull capability	1 000 N maxi
Speed	-maximum 25mm / sec. without load -maximum 18.5 mm/sec. at full load 1 000 N
Strokes	100~300 mm
Material extension tube / front connector	Stainless steel
Sealing protection grade	IP66 / IP69K
Noise level	< 70 dB
Duty cycle	10% (2 mn operation / 20 mn rest)
Preset limit switch	
Operating temperatures	-20° C to +40° C
Colour	Black
Certified	CE Marking, EMC Directive 2014/30/EU

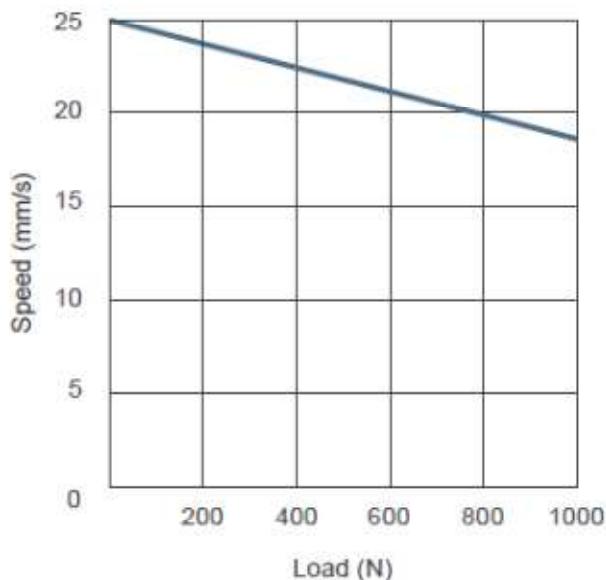
Options :

Additional sealing protection	bellow on extension tube (only available with 100mm stroke)
Analog positioning feedback	potentiometer

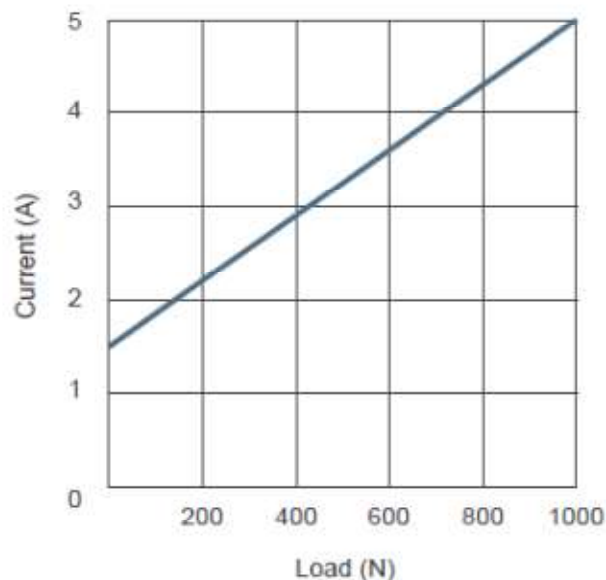
PERFORMANCES

Push / Pull Max. (N)	Typical Speed (mm/s)		Typical Current (A) @ 24V	
	No load	Full load	No load	Full load
1000	25.0	18.5	1.5	5.0

Speed vs. Load



Current vs. Load



WIRING DIAGRAM

Standard



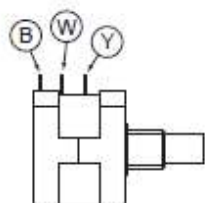
Power	
Red	Black
M+	M-

With potentiometer (POT)

The resistance between blue and yellow wires increased when the actuator extends, and decreased when it retracts.



Power		Signal		
Red	Black	White	Yellow	Blue
M+	M-	VCC	GND	Data



Stroke (mm)	Resistance ($\pm 100\Omega$)
100	1764
150	2645
200	3527
250	4409
300	5291



Actuator extends

Remarks:

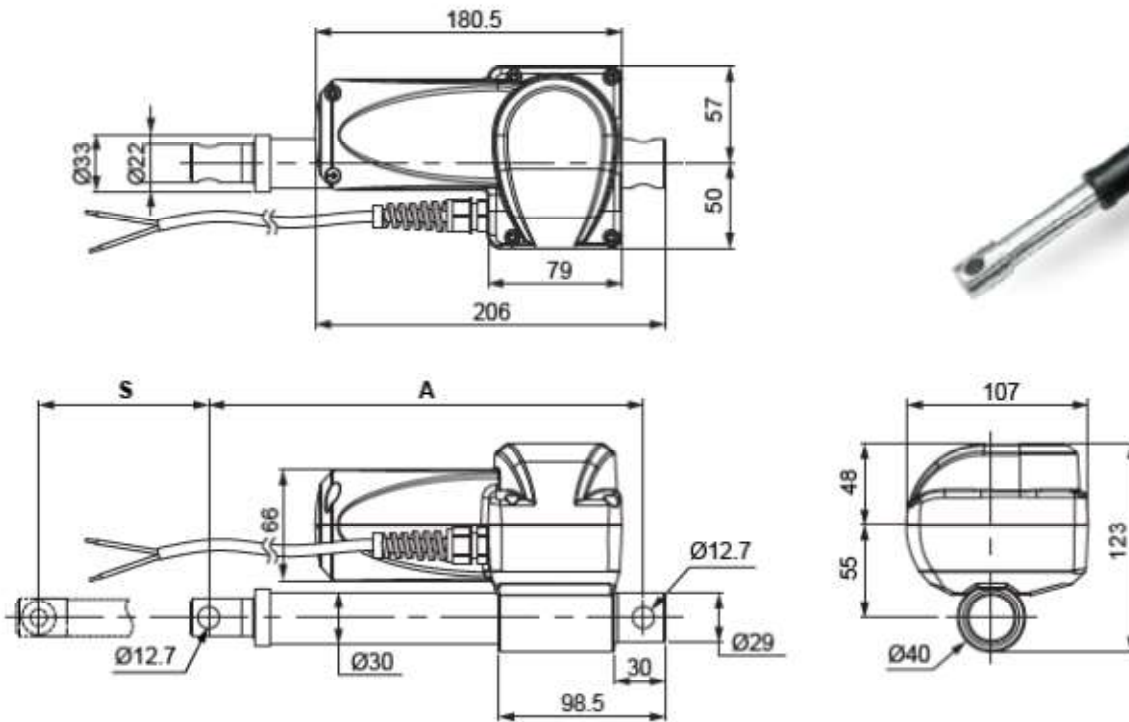
Connect Red (M+) to '+' & Black (M-) to '-' of DC power, the actuator will extend.

DIMENSIONS

Standard

Retracted length (A) $\geq S + 156 \text{ mm } (\pm 2\text{mm})$

Available stroke (S) range = 100 ~ 300 mm



With bellow protection

Retracted length (A) $\geq S + 156 \text{ mm } (\pm 2\text{mm})$

Available stroke (S) range = 100 mm

