

Column CLK2-2 sections



TECHNICAL SPECIFICATIONS

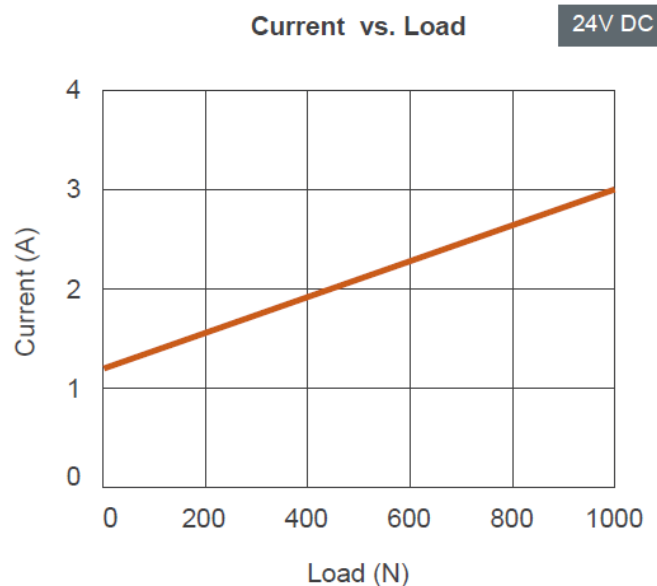
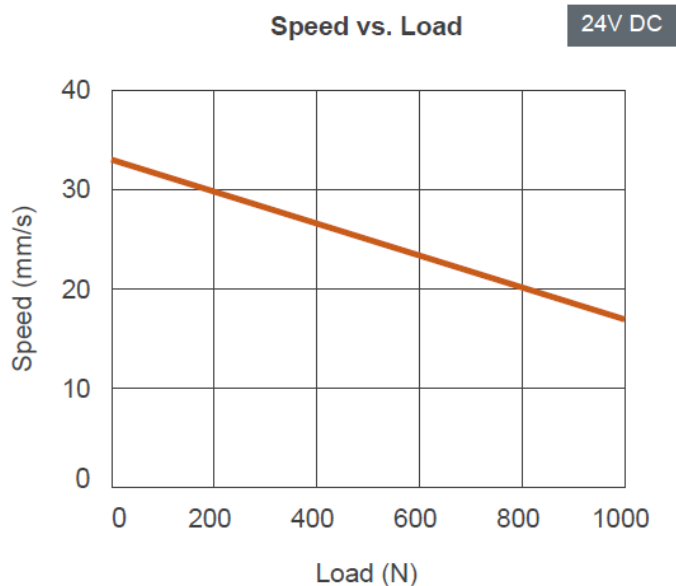
Input voltage	24 ~32 Volts DC
Max. Push Load	1 000 N
Stroke	460 mm
Noise level	<50dB
Speed	-maximum 33 mm/sec. without load -maximum 17 mm/sec. with full load
Positioning signal feedback	Dual Hall effect sensors
IP protection level	IP20
Compatibility with control box	BCK3 (plug type minifit 6-pin)
Duty cycle	10% (1 mn continuous operation / 10 mn pause)
Standards certification	CE marking, EMC directive 2014/30/EU

Options :

Power cord Length	1200 mm / 2000 mm
-------------------	-------------------

PERFORMANCES

Input	Max.Push load (N)	**Typical Speed (mm/s)		**Typical Current (A)	
		No load	Full load	No load	Full load
24V DC power supply	1000	33	17	1,2	3
BCK3 (32V) control box	* 800 / 1000	28	22		



DIMENSIONS

Remarks:

- * When the load is applied at the sides, the max. lifting capability is 800N (Fig. 1)
When the load is applied at the center, the max. lifting capability is 1000N (Fig. 2)

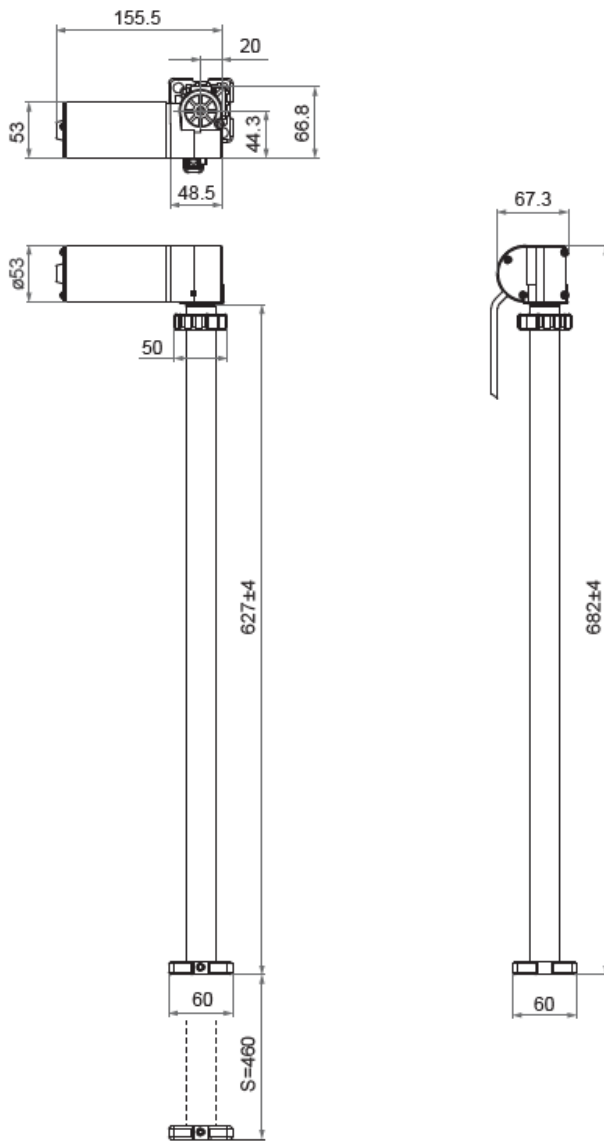


Fig. 1



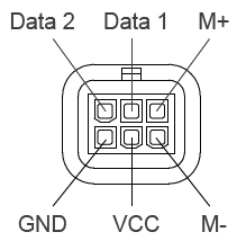
Fig. 2

- ** The typical speed or typical current means the average value neither upper limit nor lower limit.
The performance curves are made with typical values.



CABLE PLUG

L1-type minifit 6-pin, 180° plug



Note

1. Connect Pin (M+) to "+" & Pin (M-) to "-" of DC power, the actuator will extend.
2. Hall effect sensor resolution: 1.88 pulses/mm



L1-type