



## TECHNICAL SPECIFICATIONS

Input Voltage	24 Volts DC or 12 Volts DC
Max. Push Load	1 000 N
Noise level	<60dB
Strokes	-standard 50 ~ 300mm or customized -preset limit switches
Noise level	<60dB
Speed	-maximum 45.5 mm/sec. without load -maximum 4.6 mm/sec. at full load 1 000 N
IP protection level	IP66 / IP69K
Compatibility with control box	-TB/BCS1 /BCS2/BCT2/BD3T/BC4M without sensor feedback -BC3T-SY/BC4M-S/CBC4M-B with dual Hall effect sensors
Duty cycle	20% (2 mn continuous operation in 18 mn)
Ambient operation temperature	-25°C ~ +65°C
Color	Aluminium Grey
Standards certification	CE Marking, EMC Directive 2014/30/EU

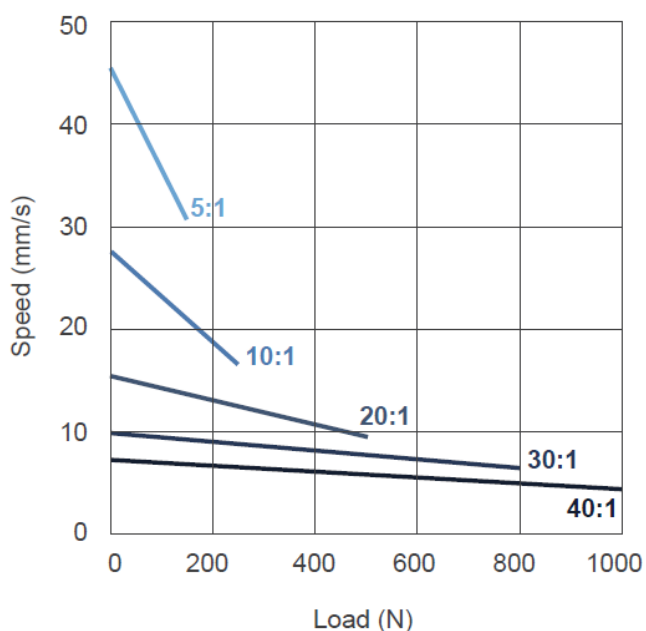
### Options :

Positioning signal feedback	1 or 2 Hall effect sensor(s) for Synchro/Memory functions
Analog positioning feedback	potentiometer
Attachment	Mounting bracket (MB22)

## PERFORMANCES

Model No.	Gear ratio	Push / Pull max. (N)	Self-locking ability (N)	**Typical Speed (mm/s)		**Typical Current (A)			
				No load	Full load	No load		Full load	
						12V	24V	12V	24V
V36-XX-05-XXX	5:1	150	250	45.5	30.8	1.0	0.5	2.4	1.2
V36-XX-10-XXX	10:1	250	340	27.7	16.8	1.0	0.5	2.4	1.2
V36-XX-20-XXX	20:1	500	680	15.6	9.5	1.0	0.5	2.4	1.2
V36-XX-30-XXX	30:1	800	1020	9.9	6.3	1.0	0.5	2.4	1.2
V36-XX-40-XXX	40:1	1000	1530	7.3	4.6	1.0	0.5	2.4	1.2

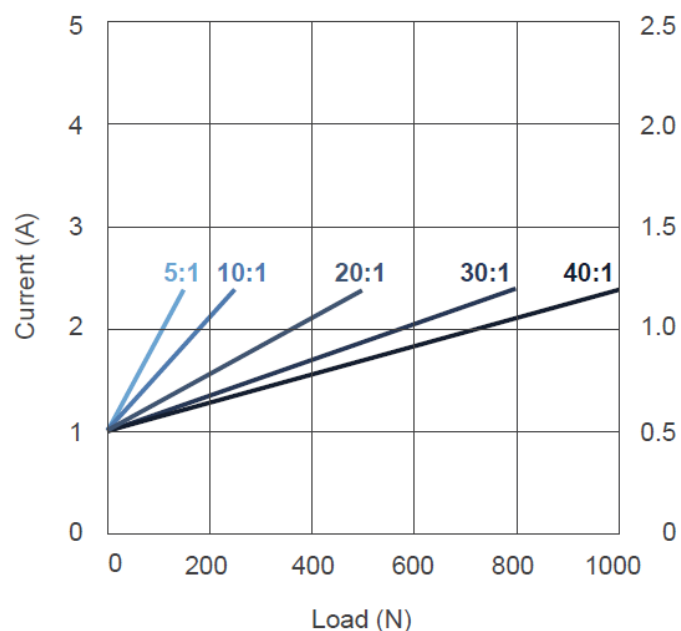
Speed vs. Load



12V DC

Current vs. Load

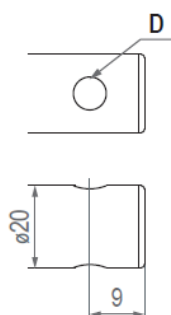
24V DC



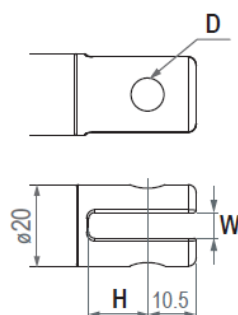
## FRONT AND REAR FIXING

### Front clevis specifications :

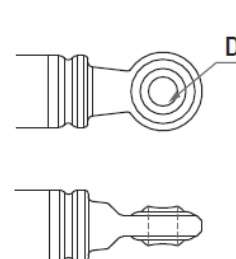
1: Drilled hole



2: Plastic slot

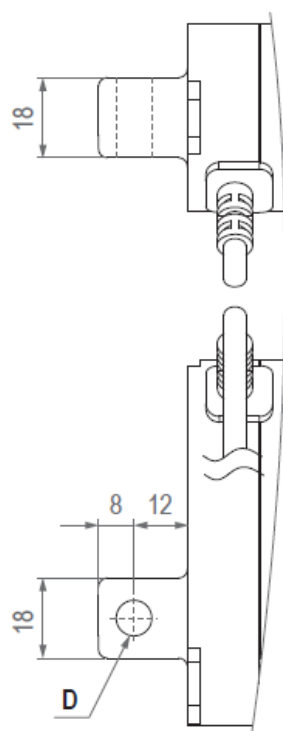


3: Spherical rod eye

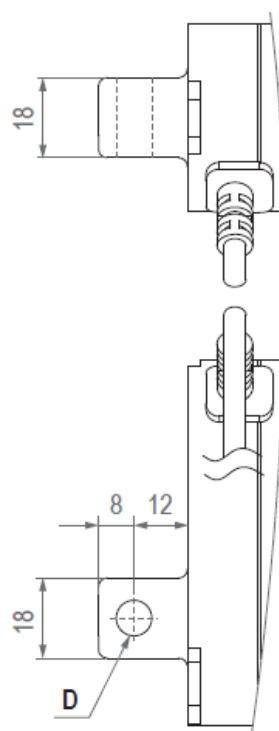


## Rear clevis specifications :

0: Zinc alloy clevis, 0°



9: Zinc alloy clevis, 90°



Front connector code	Diameter of pivot without bushing (D)	Slot width (W)	Slot depth (H)
1	ø6.4, ø8, ø10	N/A	N/A
2	ø8, ø10	6	15
3	ø8	N/A	N/A
Rear connector code			
0	ø6.4, ø8, ø10	N/A	N/A
9			

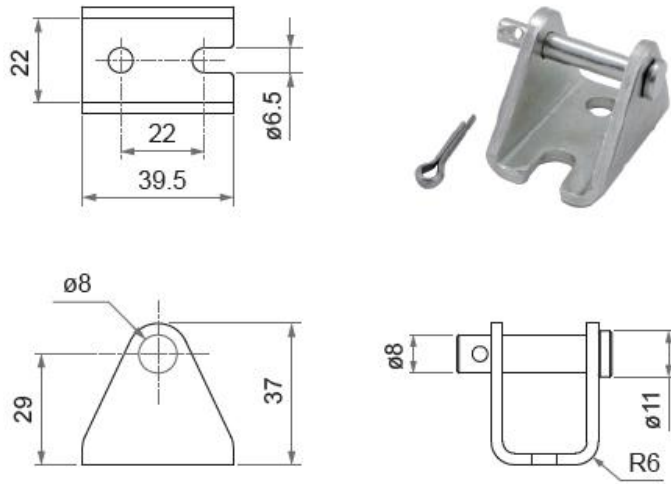
### • Installation Dimension

#### Retracted length (A)

Options	Front connector code	Stroke (S)					
		50	100	150	200	250	300
Standard or Hall sensor	1, 2	158	209	260	311	362	413
	3	199	250	301	352	403	454
POT	1, 2	195	246	297	348	399	450
	3	236	287	338	389	440	491

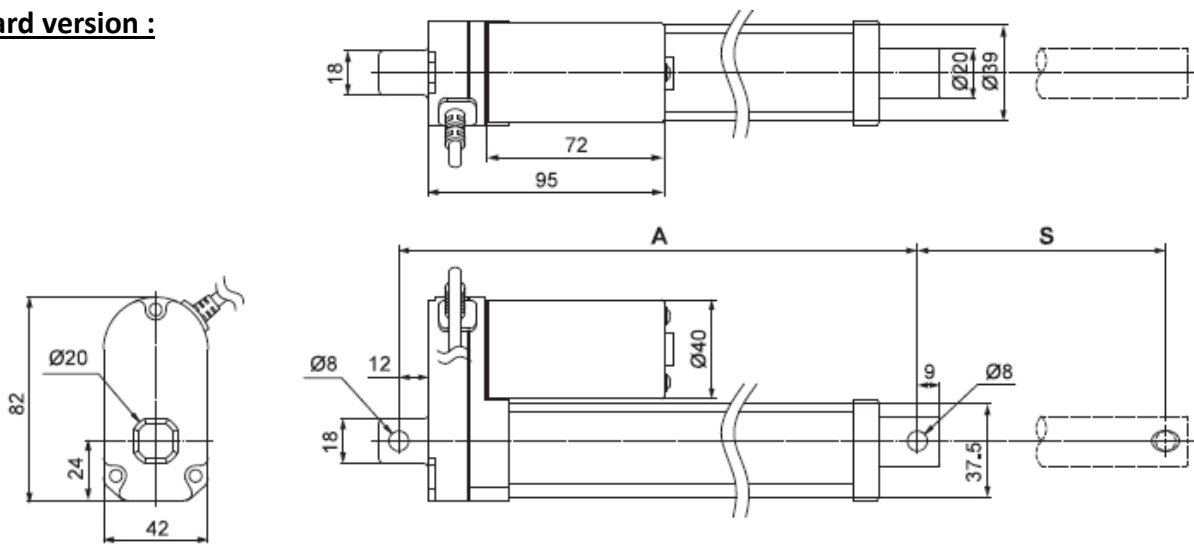
(tolerance: ±3mm)

• Mounting bracket (MB22)

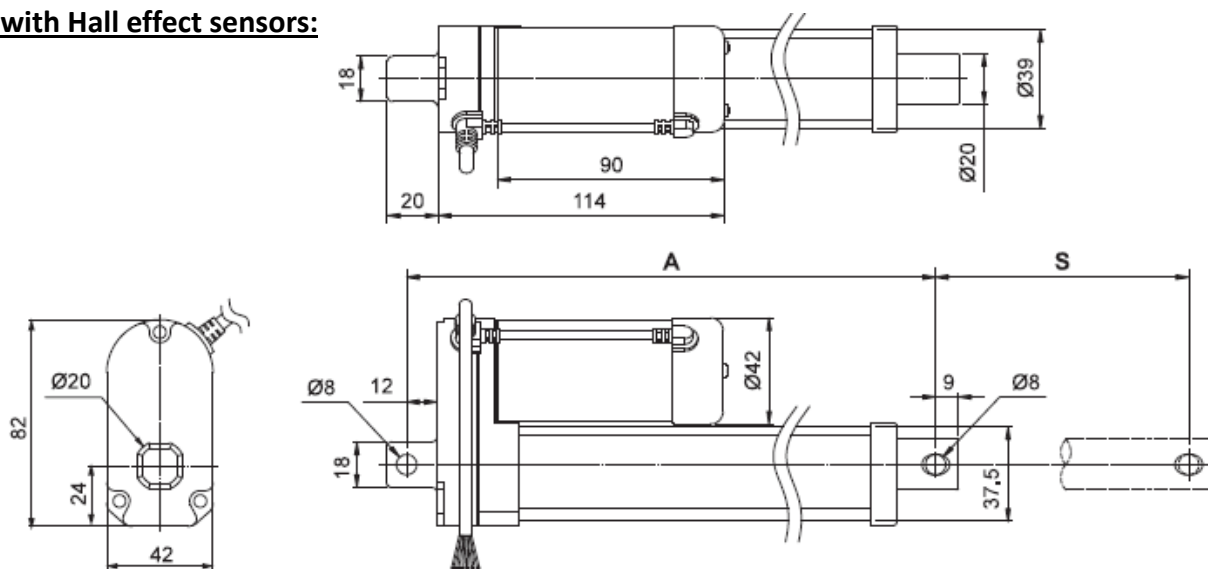


**DIMENSIONS**

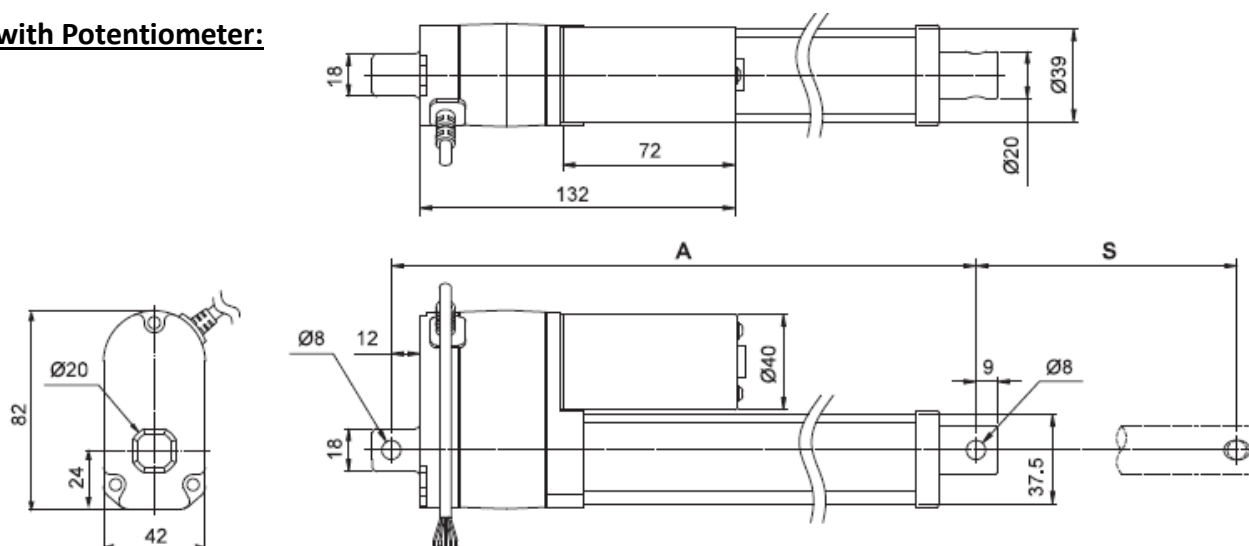
**Standard version :**



**Version with Hall effect sensors:**



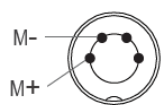
**Version with Potentiometer:**



**CABLE PLUG**

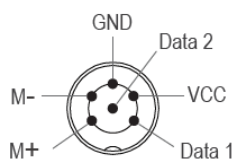
F-type DIN plug (required to be connected to the control box):

- Without positioning sensor feedback



4-pin DIN plug

- With dual Hall effect sensors



6-pin DIN plug



F-type

Note: Connect Pin (M+) to "+" & Pin (M-) to "-" of DC power, the actuator will extend.