

Switch Mode Power Supply TES3



TECHNICAL SPECIFICATIONS

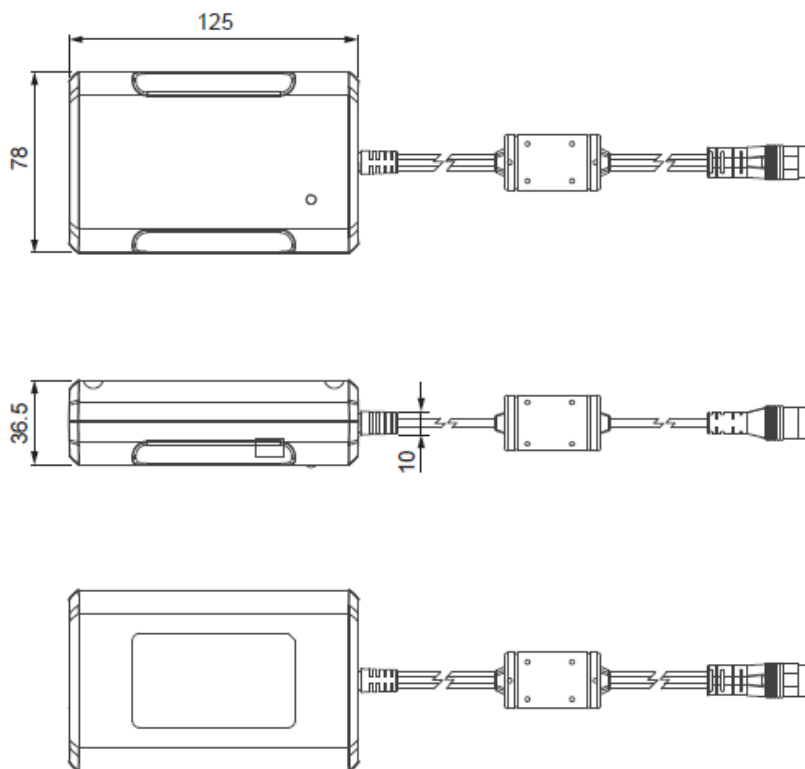
Input voltage	100V AC ~ 240V AC / 60-50 Hz
Standby power consumption	<0.5W @ no load
Output voltage	29 V DC
Power / current	3 A
Electrical protection	<ul style="list-style-type: none">-Input over current protection-Output over voltage protection-Output current protection-Output short circuit protection-Over load protection
Compatibility with control box	BCS1, BCS2
Ambient operation temperature	0°C ~ +4°C
Ambient operation humidity	20% ~ 90% RH
Storage temperature	-20°C ~ +85°C
Storage humidity	20% ~ 90% RH
Color	Black
Protection class	Class I
AC power cord length	3000 mm

Options :

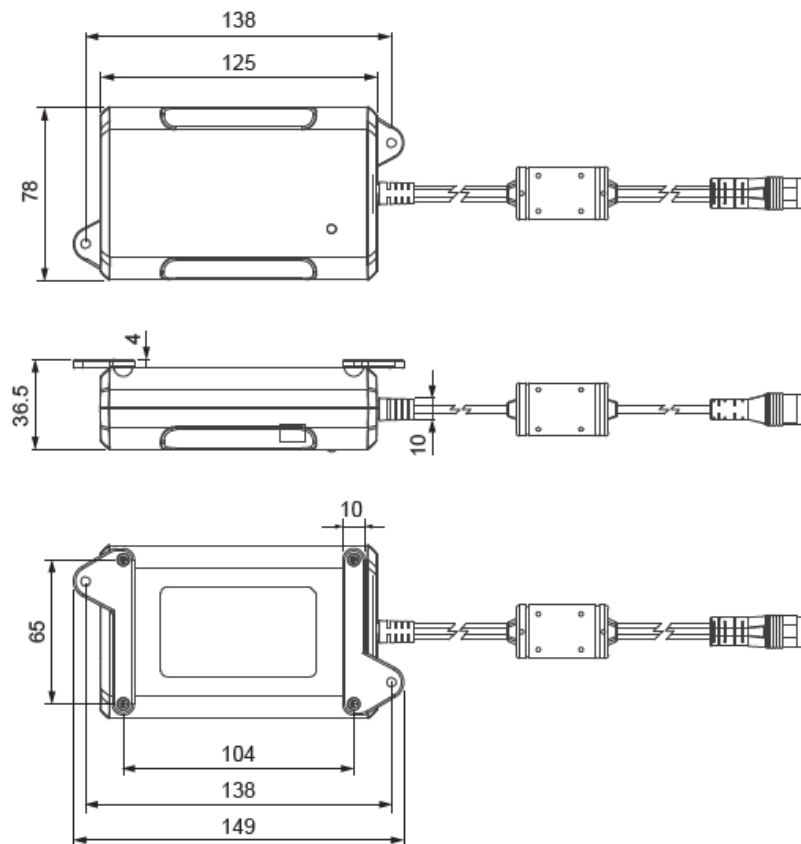
Fixing type

DIMENSIONS

Single unit



Assembly with fixing clips



R-type DIN 41529 female connector for DC output

