



TECHNICAL SPECIFICATIONS

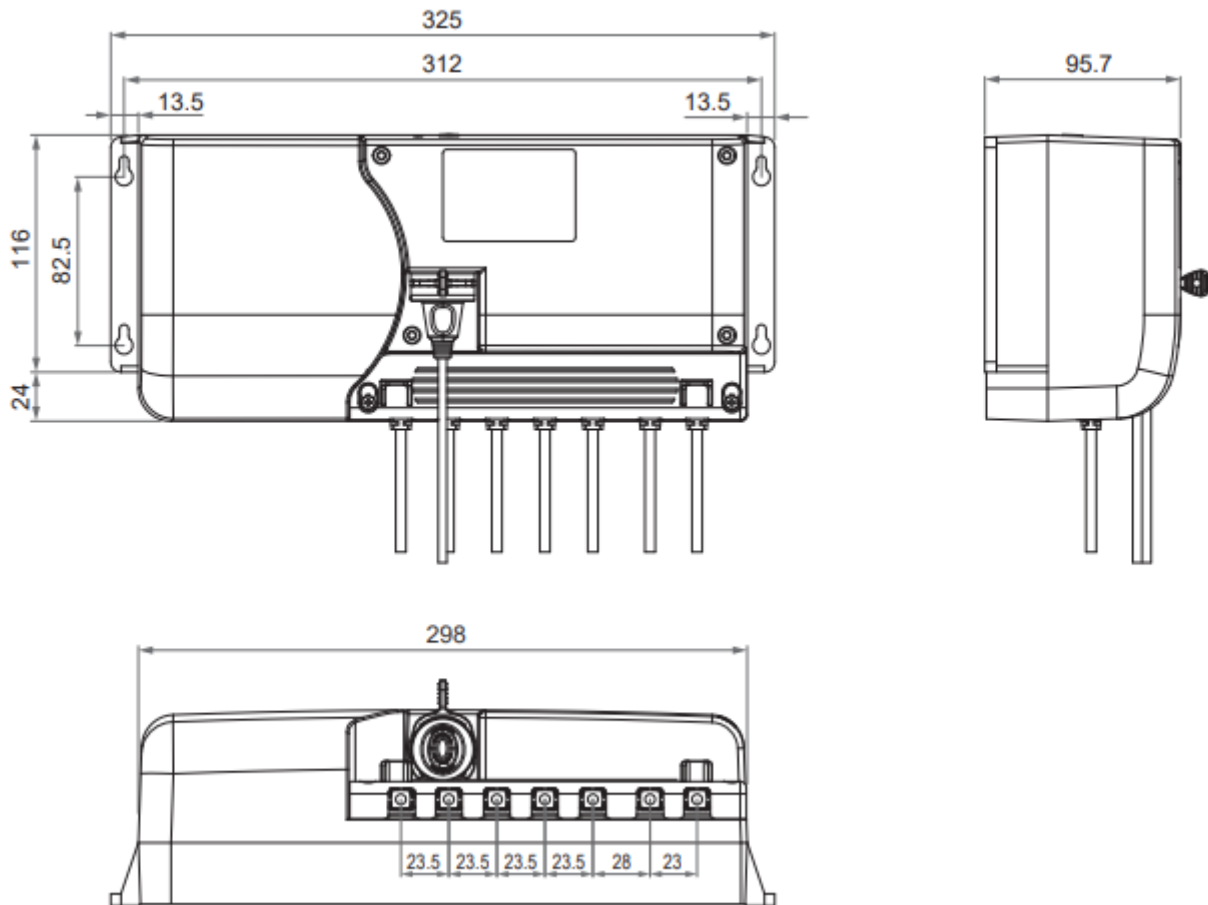
Input voltage	230 VAC - 50Hz
Output voltage	24 VDC / 3.5A (Maxi. 7A)
Actuator connections	Maximum = 5
Power supply	216W Toroidal transformer
Number of actuators	Maximum 5 inputs
Number of controls	Maximum 2 inputs
Positioning management	Support Dual Hall sensor
Customized software	MoBus Protocol
Compatibility	-Actuators: V60 / V62 / V66 / V21 / V80E / V82 -Hand-controls: H3T-M / HS12-M / CP1 / CP2 -Accessories: junction boxes JB1 / JB2-M / JB3
Protection grade	IP54
Duty cycle	10% (2min operation/18min)
Protection class	Class II
Power cord length	3000 mm
Colour	RAL 7035 (Light Grey)
Standards certification	CE Marking / MDD Directive 93/42/EEC

Options :

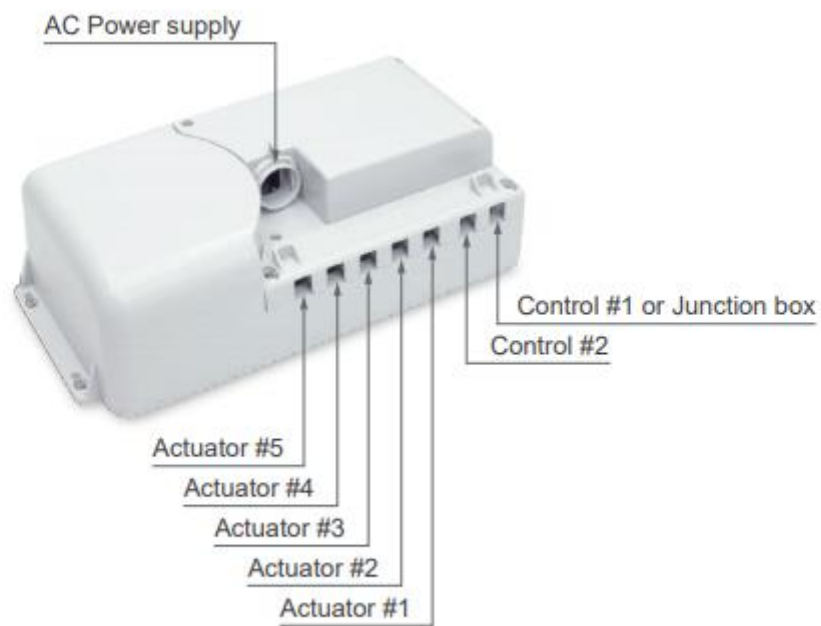
Battery back-up	Rechargeable Lead-acid batteries 1.3Ah
IP Protection level	IP55

DIMENSIONS

Unit: mm

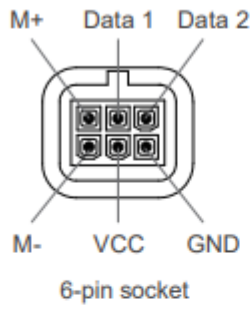


CONNECTIONS



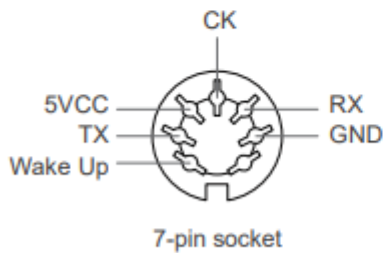
CABLE CONNECTORS

Actuator socket for L2-type minifit 6-pin plug



L2-type

Control socket for V-type 7-pin DIN plug



V-type

ACCESSORIES AND CONTROLS

ACCESSORY



JB1 Junction box and under bed light
Extension for more controls connection.



JB2-M Junction box
Connection for customized membrane switches.



FL2 LED Floorlight
Optional accessories of JB3.



JB3 Junction box
Extension for more controls connection.



SB1 Stop button



CP1
Max. 21 buttons



CP2
Max. 29 buttons



H3T-M



HS12-M

HAND CONTROL