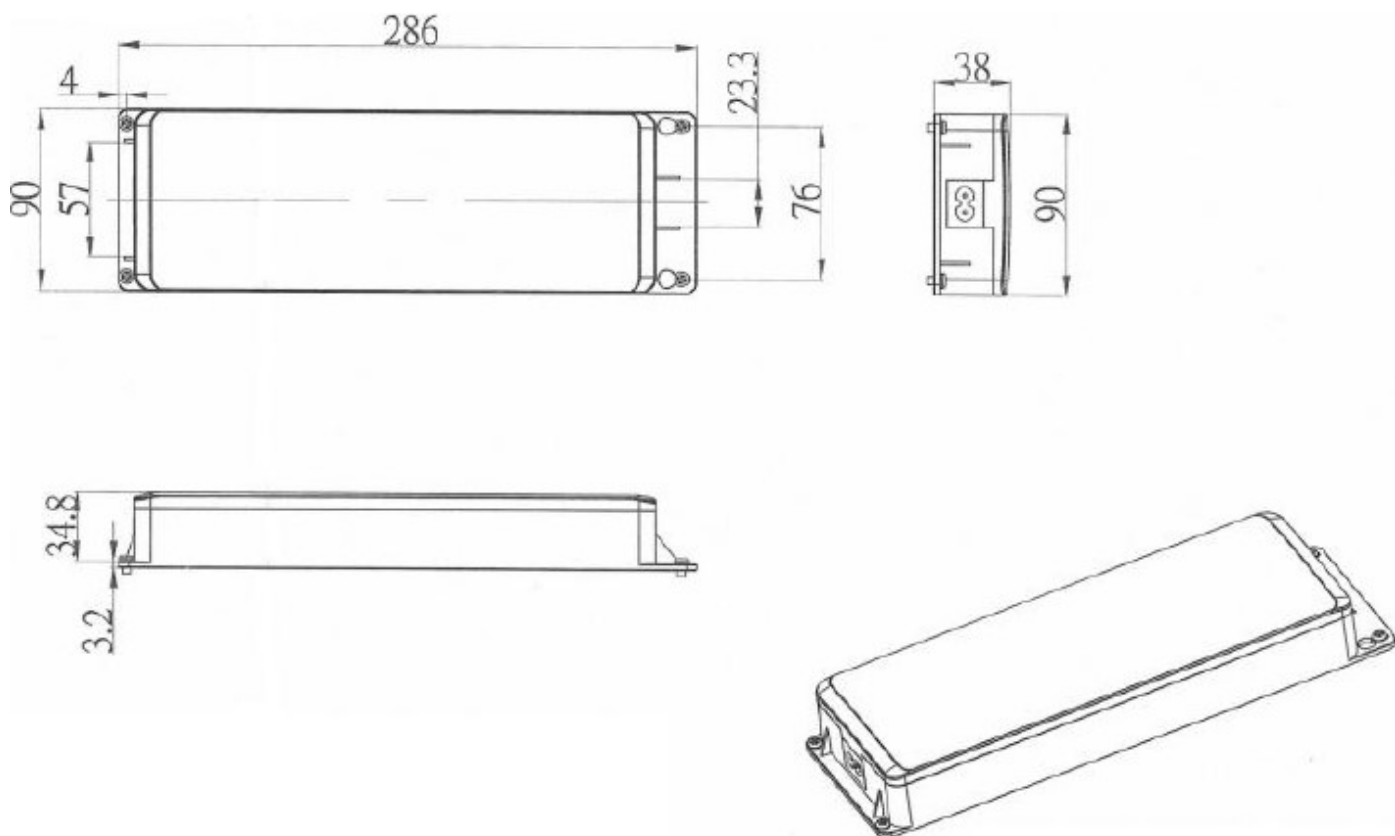




TECHNICAL SPECIFICATIONS

Input voltage	100~240 VAC
Output voltage	24 VDC
Motor configuration	-1 x motor -2 x motors synchronized (w/ hall effect sensors)
Column compatibility	CLK2 (Minifit 6-pin 180° cable)
Gear motor compatibility	MDK4 (Minifit 6-pin 180° cable)
Control compatibility	-desk-switch DKP3 (with memory positions) -desk-switch DKP4
Anti-pinch security	back movement when detecting resistance
Functions	-Position Memory: up to 4 positions -soft start / stop function -real-time height display
Protection grade	IP20
Colour	black (RAL 7001)
Duty cycle	10% (2 mn operation / 20 mn rest)
Applications	height adjustment of desks / tables / workstations
Power cord features	Detachable AC power cord 3000 mm long

DIMENSIONS



Unit: mm

CONTROLS



DKP4



DKP3