



TECHNICAL SPECIFICATIONS

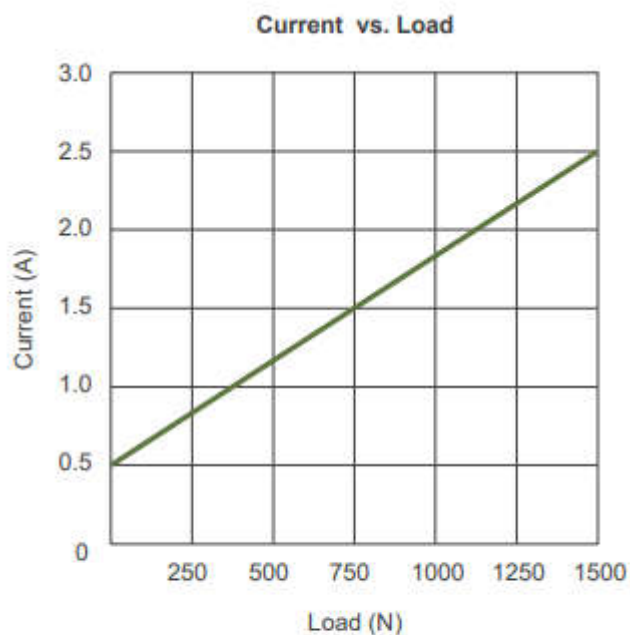
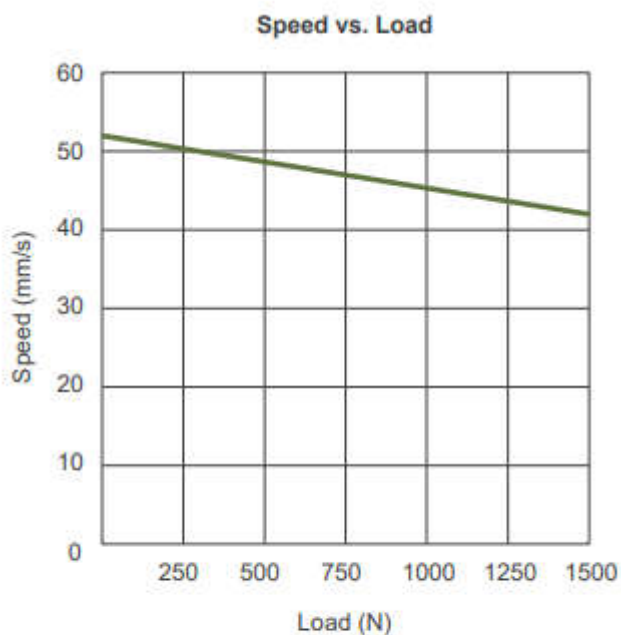
Input Voltage	24 Volts DC
Max force	Push : 1500 N Pull : 1500 N
Stroke	-≤300 mm -Preset limit switches
Noise level	<50dB
Speed	-Maximum 52 mm/sec without load -Maximum 42mm/sec with full load
IP protection level	IPX5
Compatibility	TB / BCS1 / BCS2 / / BC3T / BC4M / BC4P / BC6 / BC7 / BC5
Duty cycle	10% (max. 2min. continuous operation in 18min.)
Ambient operation temperature	-20°C ~ +65°C
Color	Black

Options :

Cable	-straight L=1 000 mm -coil with 300 mm spiral
Positioning signal feedback	2 Hall effect sensors

PERFORMANCES

Push Max. (N)	Pull Max. (N)	*Typical Speed (mm/s)		*Typical Current (A) @ 29V	
		No load	Full load	No load	Full load
1500	1500	52	42	0.5	2.5



Remarks:

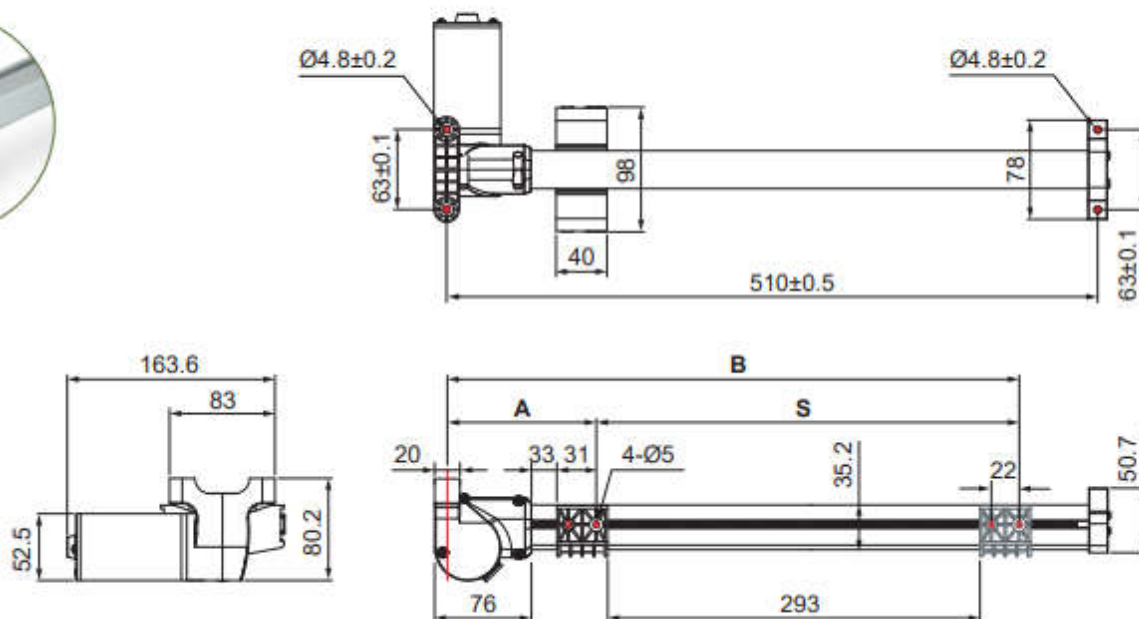
- * The typical speed or typical current means the average value neither upper limit nor lower limit. The performance curves are made with typical values.

DIMENSIONS

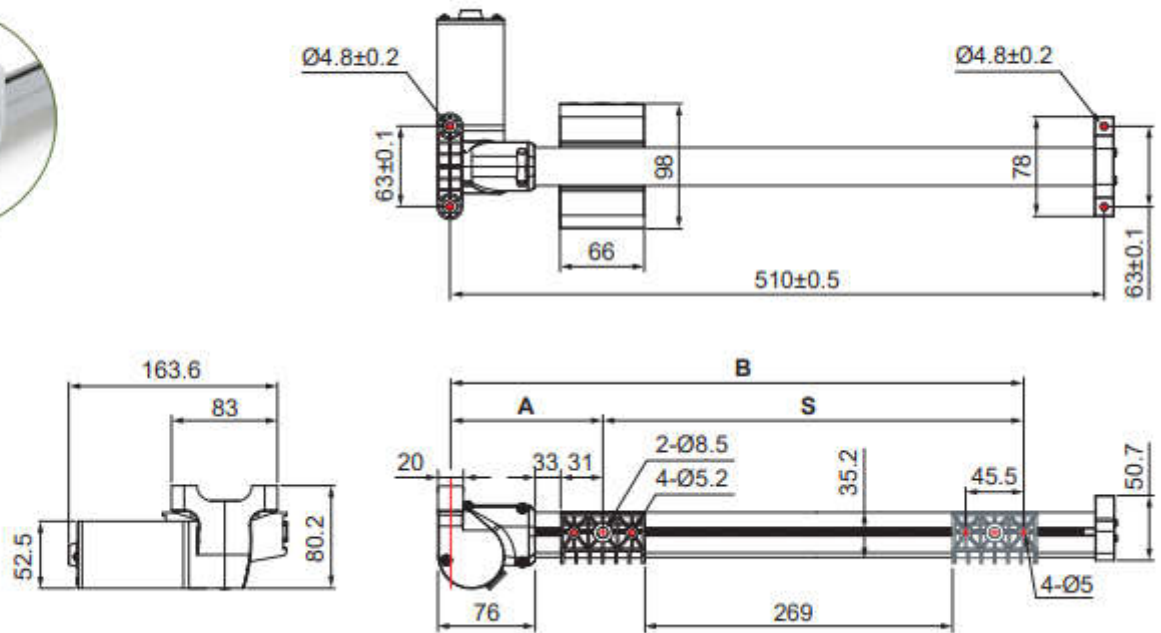
Nut type

Unit: mm

- A-type plastic nut



- C-type plastic nut



Installation Dimension

- Retracted length (A)

Nut type	Retracted length (A)
A, C	$A \geq 130\text{mm} (\pm 3\text{mm})$

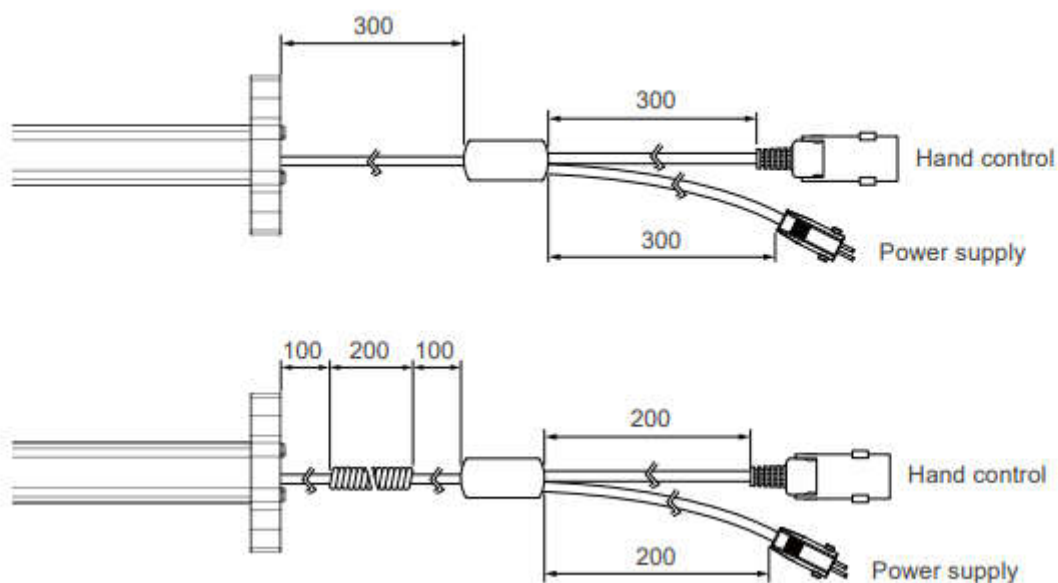
Available stroke (S) range = 50 ~ 333mm ($\pm 3\text{mm}$)

Extended length (B) = A + S

Two fixing points dimension = 510mm ($\pm 0.5\text{mm}$)

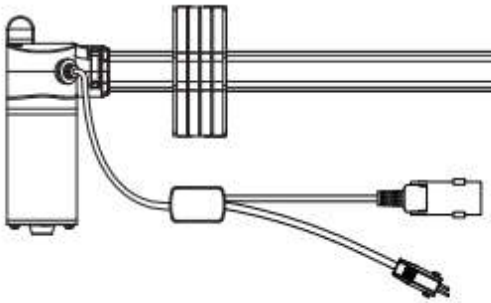
CABLE SPECIFICATIONS

Dedicated cable DL1

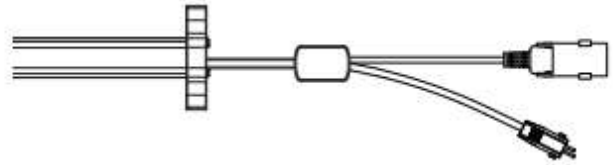


Location of cable outlet

- Rear end outlet

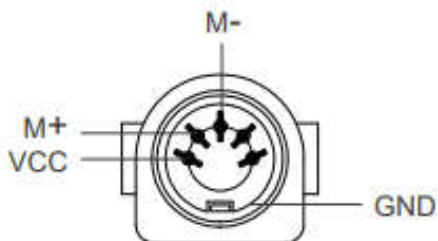


- Front end outlet



CABLE CONNECTORS

Hand control connector: with Moteck U-type female connector

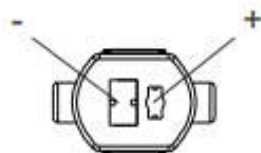


5-pin connector (Moteck pinout: C-DIN-51R)

Note:

Connect pin (M+) to "+" & pin (M-) to "-" of DC power, the actuator will extend.

Power Plug: with Moteck S-type DIN 41529 male plug



DIN 41529 plug



U-type



S-type