



TECHNICAL SPECIFICATIONS

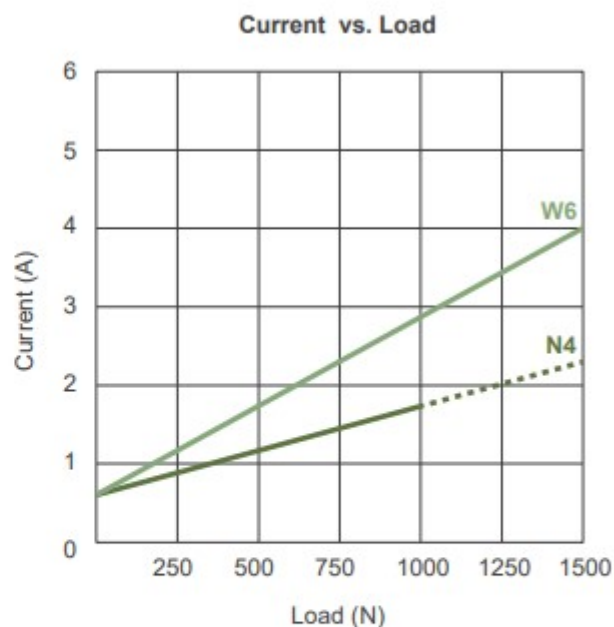
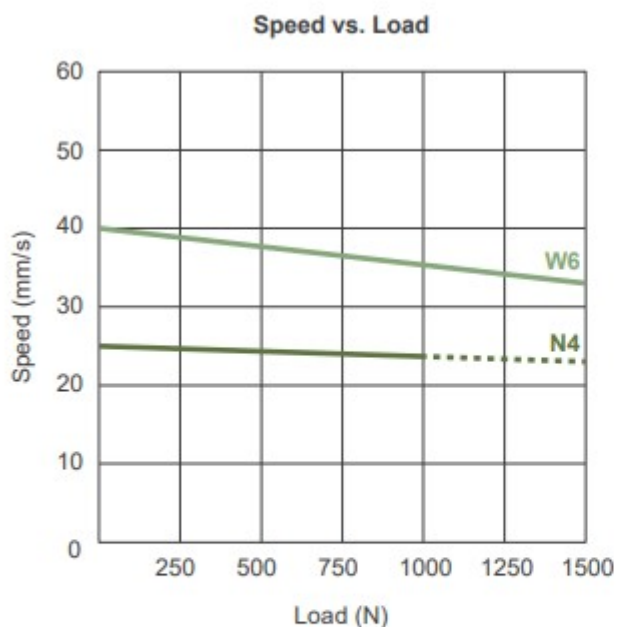
Motor type	24 Volts DC
Maximum strength	-Push : 1500 N -Pull : 1000 N
Stroke	-40 ~ 230mm -Preset limit switches
Maximum speed	-at no load : 40 mm/sec. -at full load : 33 mm/sec.
Control box compatibility	TES1 / TES2
Control compatibility	H2G / H3B / HS2 / HZ1 / HZ2
Noise level	≤53 dB
Color	Black
Operating temperatures	-20°C to +65°C
Duty cycle	10% (2 mn operation/ 18 mn rest)
Standard certifications	CE Marking / EMC Directive 2014/30/EU

Options

Cable	-location of cable outlet -various cable lengths
Plastic nut	3 differents can be chosen

PERFORMANCES

Model	Push max (N)	Pull max (N)	*Typical speed (mm/s)		*Typical current (A) @ 29V	
			No load	Full load	No load	Full load
V23-XX-24-N4-XXX.XXX	1 500	1 000	25	23	0.6	2.3
V23-XX-24-W6-XXX.XXX	1 500	1 500	40	33	0.6	4.0



Push / Pull Load — Push Load - - -

Remarks:

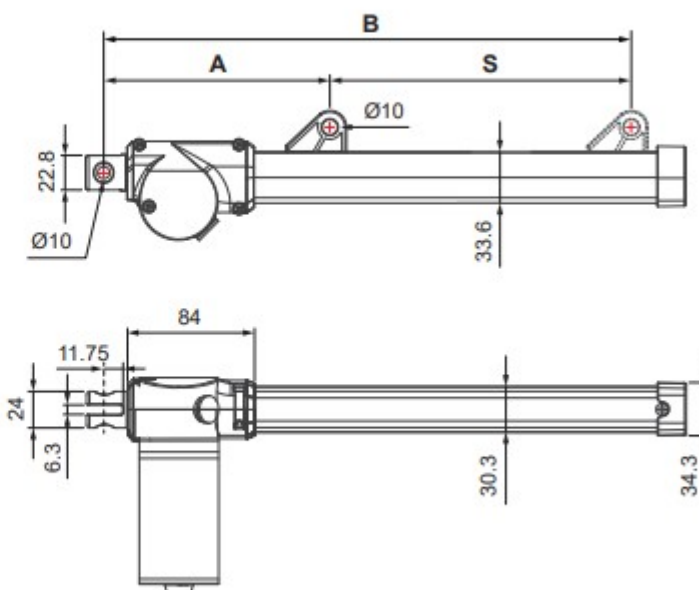
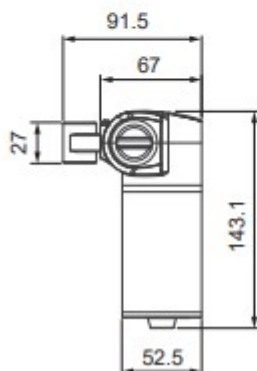
- * The typical speed or typical current means the average value neither upper limit nor lower limit. The performance curves are made with typical values.

STANDARD DIMENSIONS

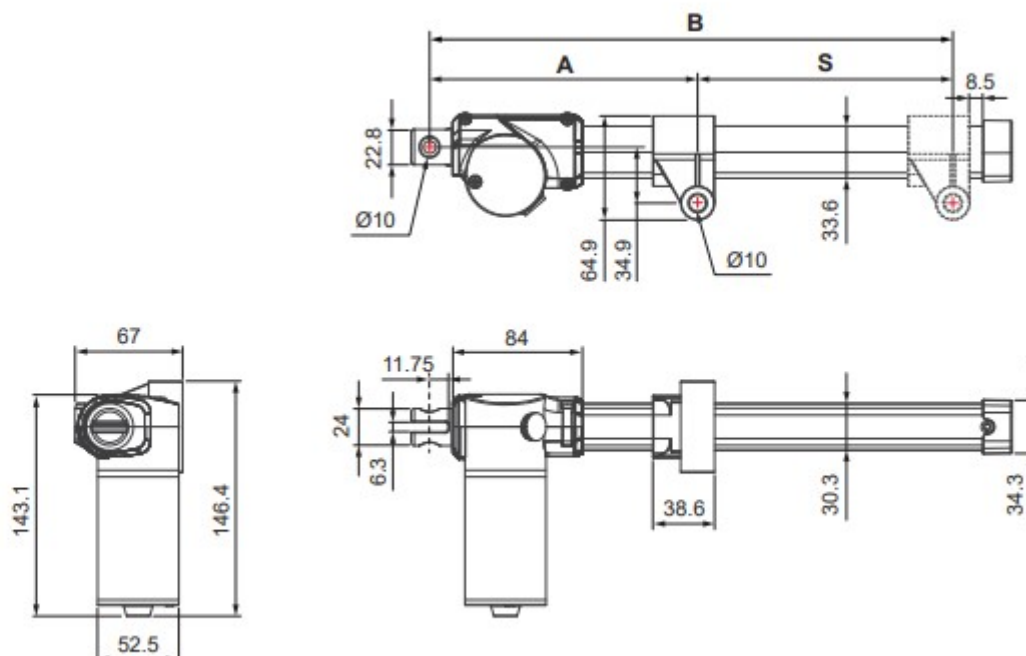
Nut type

Unit: mm

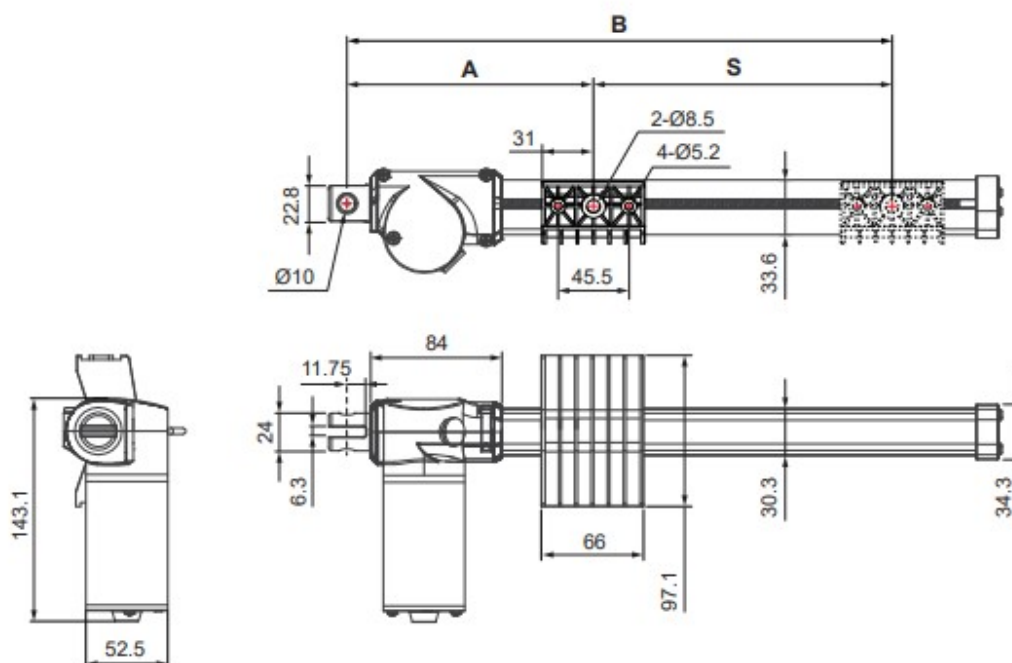
- R-type plastic nut



• B-type plastic nut



• C-type plastic nut



Installation Dimension

• Retracted length (A)

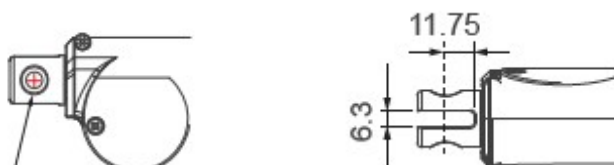
Nut type	Available stroke range (S)	Retracted length (A)
R, B	$40 \leq S \leq 230\text{mm}$	$A \geq 133\text{mm} (\pm 3\text{mm})$
C	$50 \leq S \leq 230\text{mm}$	$A \geq 156\text{mm} (\pm 3\text{mm})$

Extended length (B) = S + A

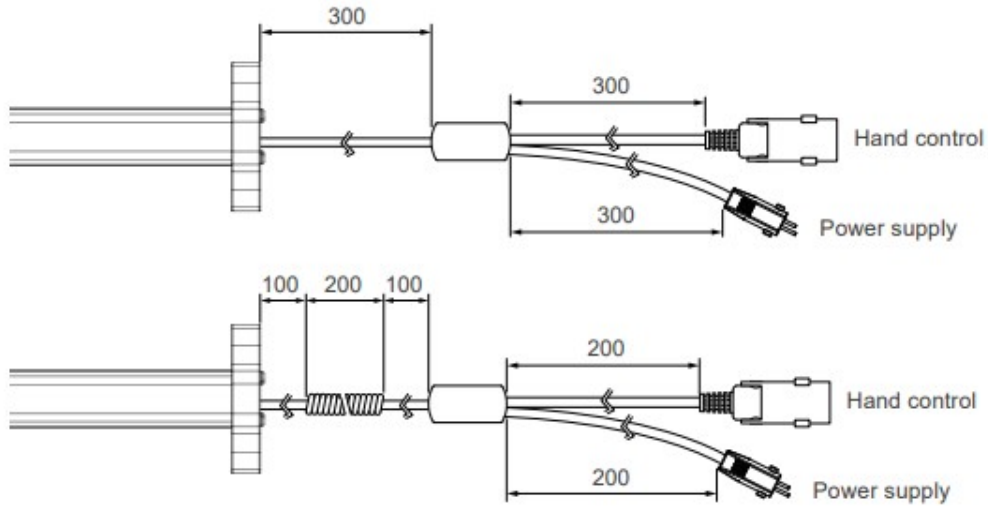
Rear Connector

2: Metal

Diameter of pivot without bushing: Ø8, Ø10, Ø12
 Diameter of pivot with plastic bushing: Ø8, Ø10

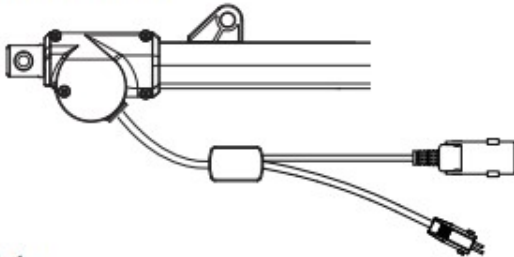


Dedicated cable DL1

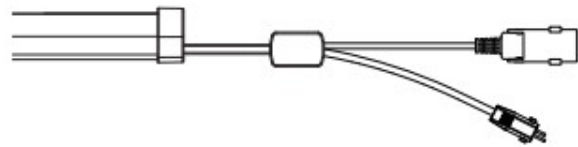


Location of cable outlet

- Rear end outlet



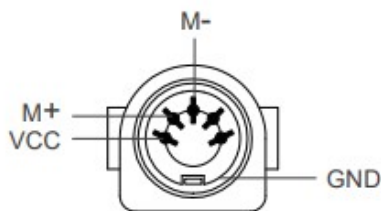
- Front end outlet



Note:

B-type plastic nut must choose rear end outlet.

Hand control connector: with Moteck U-type female connector



5-pin connector (Moteck pinout: C-DIN-51R)



Note:

Connect pin (M+) to "+" & pin (M-) to "-" of DC power, the actuator will extend.

Power Plug: with Moteck S-type DIN 41529 male plug



DIN 41529 plug

