



TECHNICAL SPECIFICATIONS

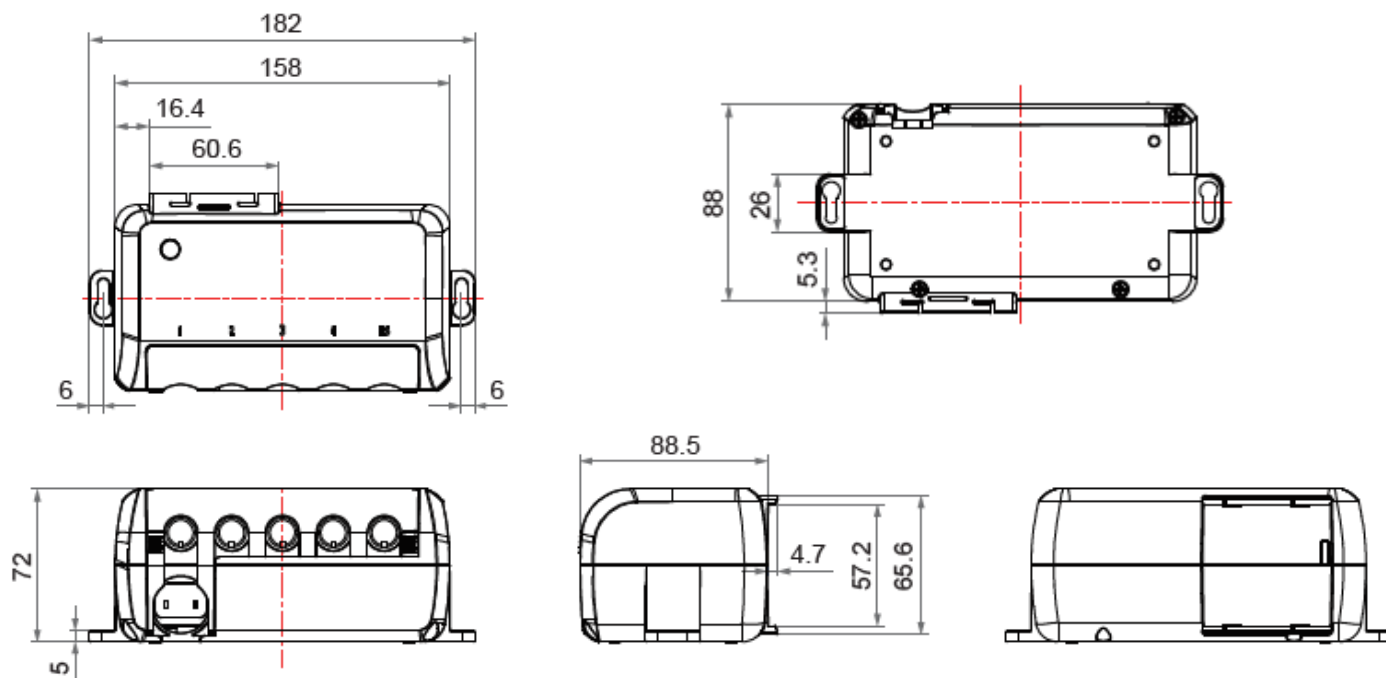
Input voltage	100~240 VAC - 50/60Hz (SMPS)
Output voltage	29 VDC - 5A
Number of actuators	Maximum 4 inputs
Number of controls	1 input
Compatibility	-Column: CLD1 -Actuators: V10 / V221 / V3M / V31 / V66 / V7 / V80E / V82 -Controls: HT / H3T / H3F / H2D / HS12 / PL1 / PL2 -Accessories: stop button SB1
Protection grade	IP54
Protection class	Class II
Overload protection	PTC
Power on indicator	LED
Colour	Light grey (RAL 7035)
Duty cycle	10% (2 mn operation / 20 mn rest)
Standard certifications	CE Marking/ Medical Device Directive 93/42/EEC

Options :

Protection grade	IP55
Fixing	C-clip to hook on actuator

DIMENSIONS

Unit: mm

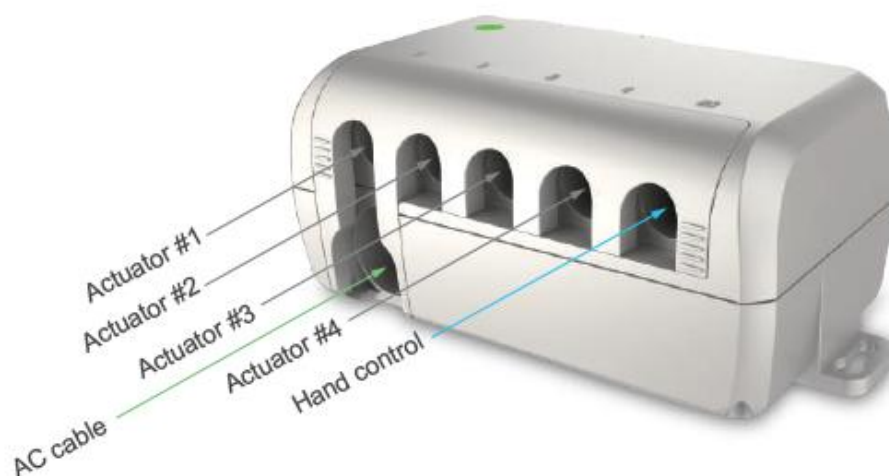


Remarks :

- the BC45 control box is designed to be hooked up on the actuators V31 and V66 as an integrated set,
- for the other actuators (V10, V221, V3M, etc.) the BC45 control box is separated from the actuator.

ACTUATOR AND CONTROL CONNECTIONS

1-to-4 model



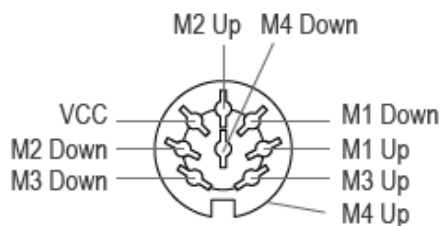
Actuator socket for H-type DIN plug



4-pin DIN socket

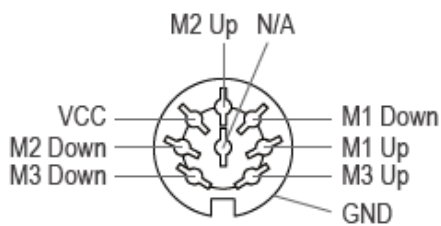
Hand control socket for H-type DIN plug

- 4 drives model



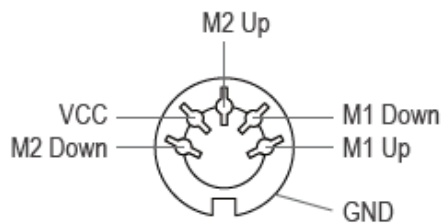
8-pin DIN socket

- 3 drives model



8-pin DIN socket
(with 7-pin DIN plug)

- 2 drives model

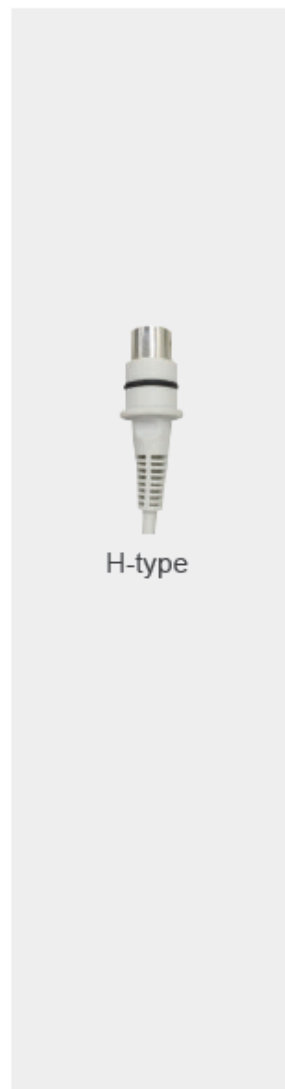


5-pin DIN socket

- 1 drive model



5-pin DIN socket



H-type