

# Wired hand-set H4N



## TECHNICAL SPECIFICATIONS

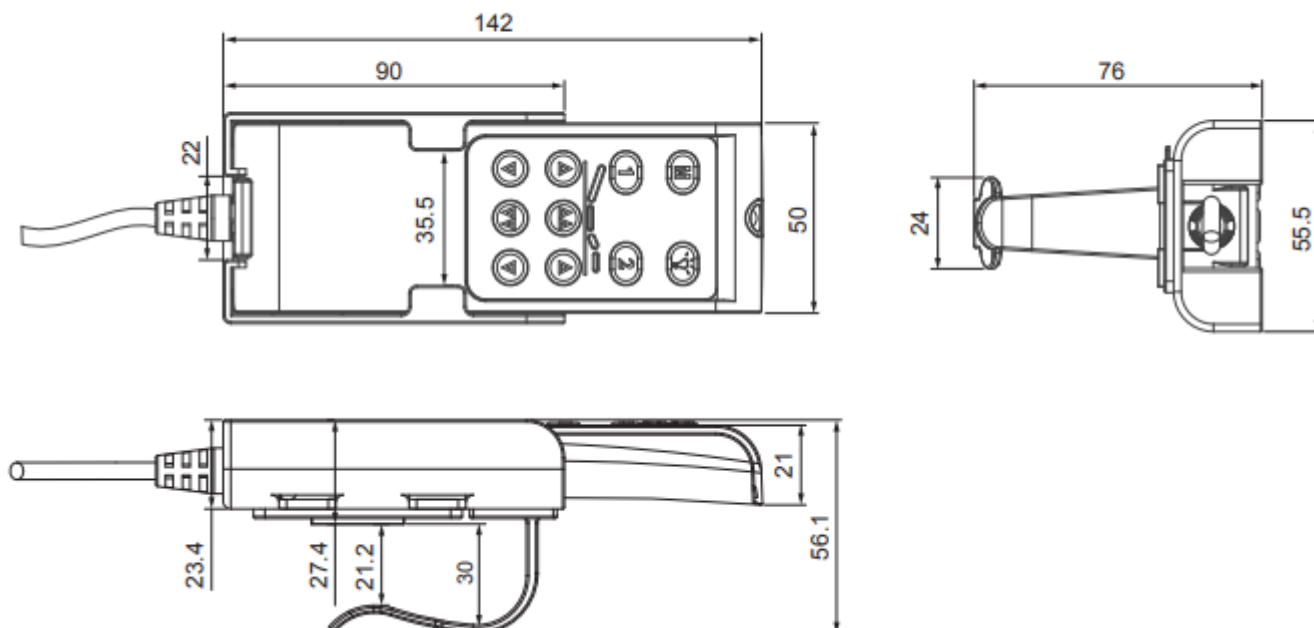
Combinations	5 to 10 buttons
Max. motor number to control	2
Torch function	LED Lighting
Compatibility	-BCT / BCT2 / BC3T / BC4M / BCS1 / BCS2 / BCTR -Novomat / Novomat I / Novomat II / Novomat III
Colour	Textured black

### Options :

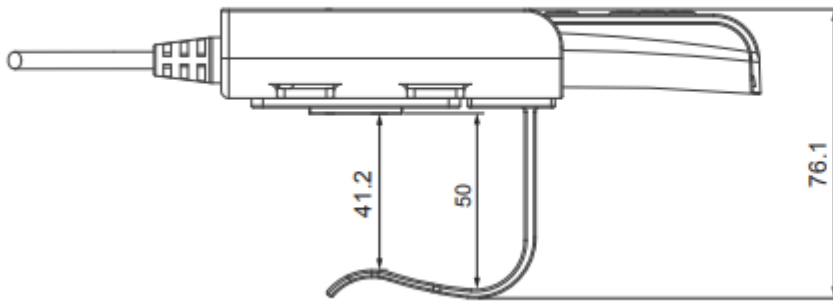
Support positions	Memory function
Keypad backlight	Blue, triggered by touch sensor or buttons
Holder	With or without hook

## DIMENSIONS

Holder with hook (30mm)



Hook (50mm)



## STANDARD PANEL ARTWORK

### Control category P1 without position memory function

► Definition 1 (Artwork A, B, C, D)

Code	A	B	C	D
Artwork				
	H4N-05-2-00	H4N-05-2-00	H4N-07-2-01	H4N-07-2-01

### Control category S1 support position memory function

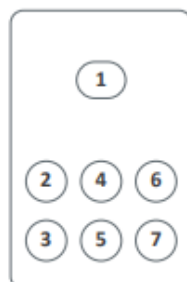
► Definition 2 (Artwork E, F, G, H)

Code	E	F	G	H
Artwork				
	H4N-08-2-03	H4N-08-2-03	H4N-10-2-04	H4N-10-2-04

#### Button definition:

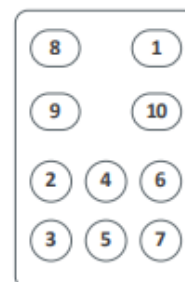
- Definition 1 (Artwork A, B, C, D)

- ① LED Torch
- ② Actuator #1 extend
- ③ Actuator #1 retract
- ④ Actuator #1 & 2 extend
- ⑤ Actuator #1 & 2 retract
- ⑥ Actuator #2 extend
- ⑦ Actuator #2 retract



- Definition 2 (Artwork E, F, G, H)

- ① LED Torch
- ② Actuator #1 extend
- ③ Actuator #1 retract
- ④ Actuator #1 & 2 extend
- ⑤ Actuator #1 & 2 retract
- ⑥ Actuator #2 extend
- ⑦ Actuator #2 retract
- ⑧ Memory Set
- ⑨ Memory position 1
- ⑩ Memory position 2





F-type



A-type