



## TECHNICAL SPECIFICATIONS

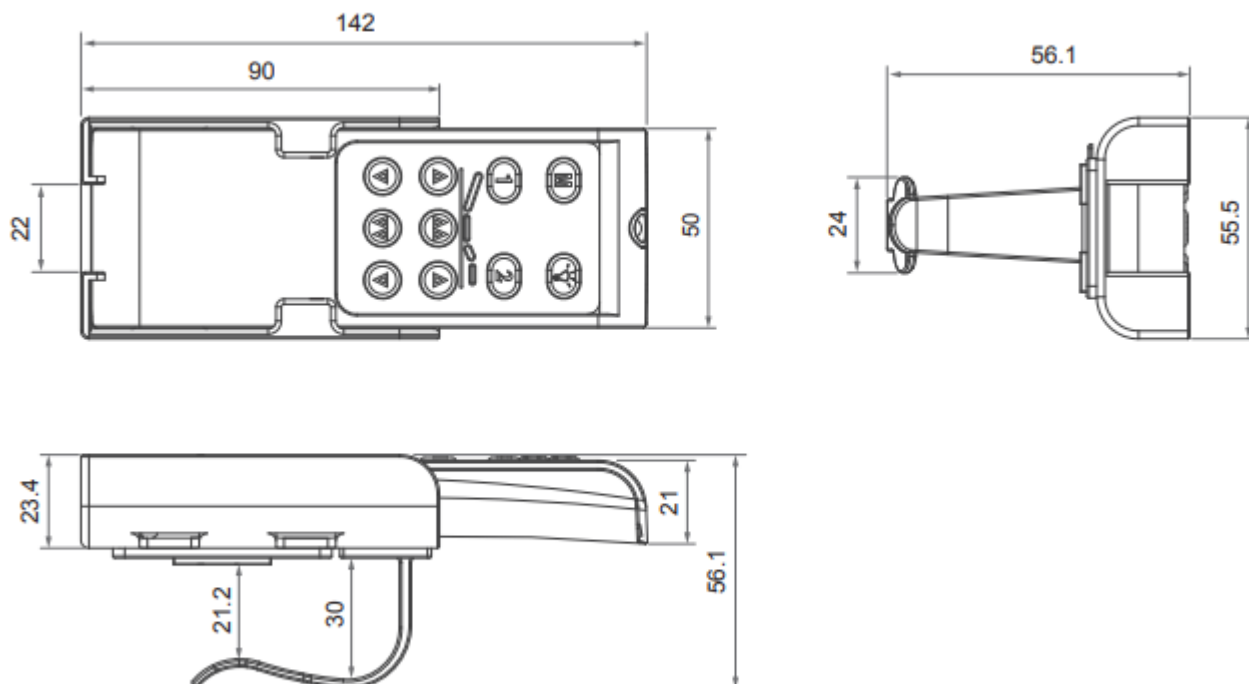
Combinations	5 to 10 buttons
Max. motor number to control	2
Operating distance	5M
Frequency	2.4GHz
Protection grade	IP20
Battery	-Alkaline AAAx3 -Low battery consumption
Torch function	LED Lighting
Button material	Silicone rubber
Compatibility	Novomat II / Novomat III
Colour	Black

### Options :

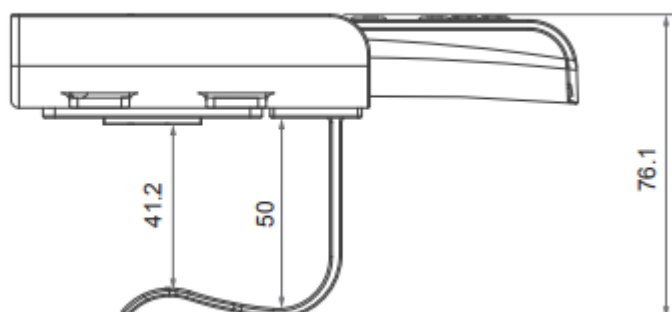
Support positions	Memory function
Keypad backlight	Blue, triggered by touch sensor or buttons
Holder	With or without hook

## DIMENSIONS

### Holder with 30mm hook gap



### Hook with 50mm gap



## STANDARD PANEL ARTWORK

### Without position memory function

Code	A	B	C	D
Artwork				
	TX2T-05-2-00	TX2T-05-2-00	TX2T-07-2-01	TX2T-07-2-01

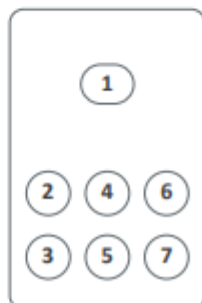
## Support position memory function

Code	E	F	G	H
Artwork				
	TX2T-08-2-03	TX2T-08-2-03	TX2T-10-2-04	TX2T-10-2-04

### Button definition:

#### - Artwork A, B, C, D

- ① LED Torch
- ② Actuator #1 extend
- ③ Actuator #1 retract
- ④ Actuator #1 & 2 extend
- ⑤ Actuator #1 & 2 retract
- ⑥ Actuator #2 extend
- ⑦ Actuator #2 retract



#### - Artwork E, F, G, H

- ① LED Torch
- ② Actuator #1 extend
- ③ Actuator #1 retract
- ④ Actuator #1 & 2 extend
- ⑤ Actuator #1 & 2 retract
- ⑥ Actuator #2 extend
- ⑦ Actuator #2 retract
- ⑧ Memory Set
- ⑨ Memory position 1
- ⑩ Memory position 2

