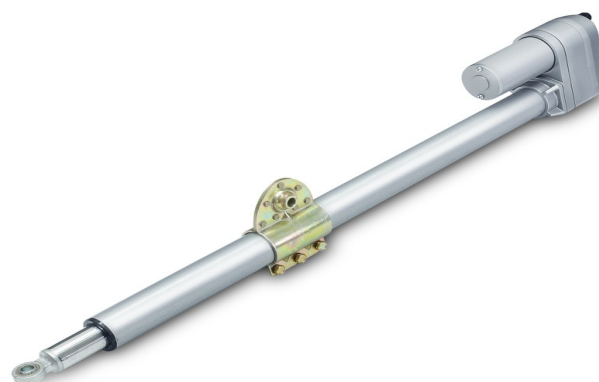


# Linear Actuator V77A



## TECHNICAL SPECIFICATIONS

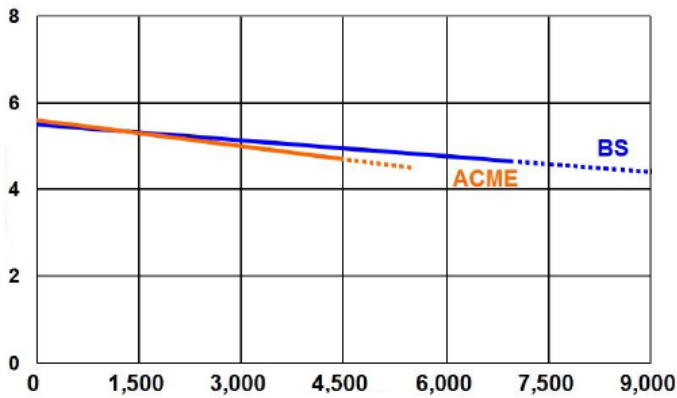
Motor Type	24V DC
Push Maximum Strength	ACME
Pull Maximum Strength	5500 N
Maximum Static Load	5500 N
Maximum Static Load	13600 N
Certified	EN61000-4, EN61000-6
Stroke	450 ~ 900 mm
Speed	5.6 mm/sec no load 4.5 mm/sec full load
Current	3.9A @ 24V DC
Inner Tube Material	Inox
Duty Cycle	10% ou 3mn continuous operation
Operating Temperature	-25°C ~ +65°C
Protection Grade	IP65
Compatibility Control Box	BCI1 / BCI2
Color	Silver / Black

### Options :

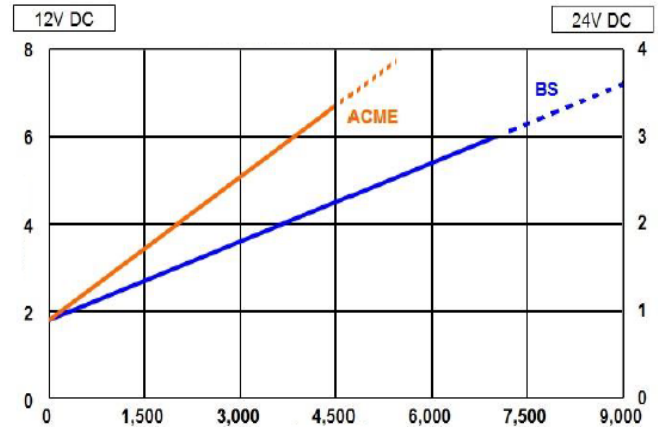
Motor Type	12V DC
Digital Positioning Feedback	Hall Sensor, Reed Sensor, Optical encoder
Analog Positioning Feedback	Potentiometer
Stainless Extension Tube	

## PERFORMANCES

Speed / Load

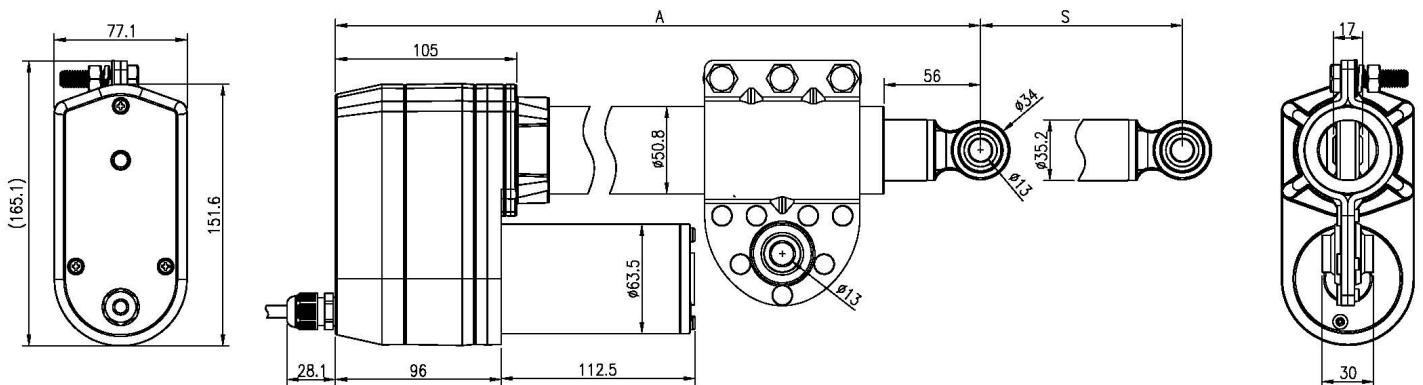


Current / Load



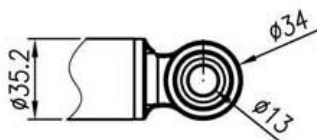
Max. Dynamic Load (N)	Speed (mm/s)		Current (A)			
	No Load	Full Load	No Load		Full Load	
			12V	24V	12V	24V
5500	5.6	4.5	1.8	0.9	7.8	3.9

## DIMENSIONS



Model	18"	24"	36"
Stroke S (± 5mm)	450	600	900
Retracted Length A (± 3mm)	764	917	1269

Front Connector



Rear Connector

